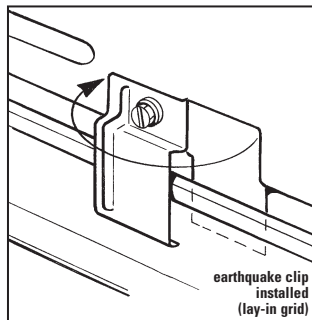
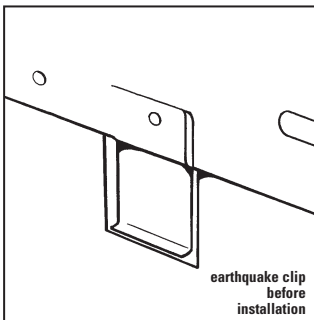
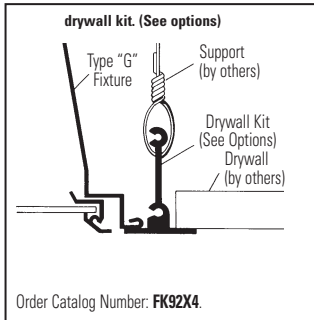
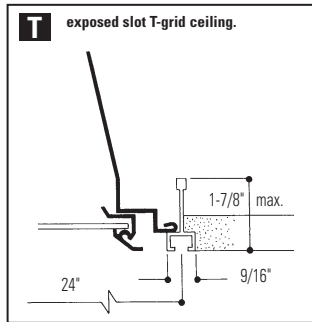
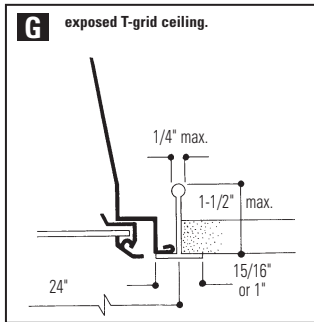


2' x 4' Recessed Fluorescent, Floating Lens Frame, Black Reveal Static or Air Supply/Return, 2 Lamp, T8 or T5

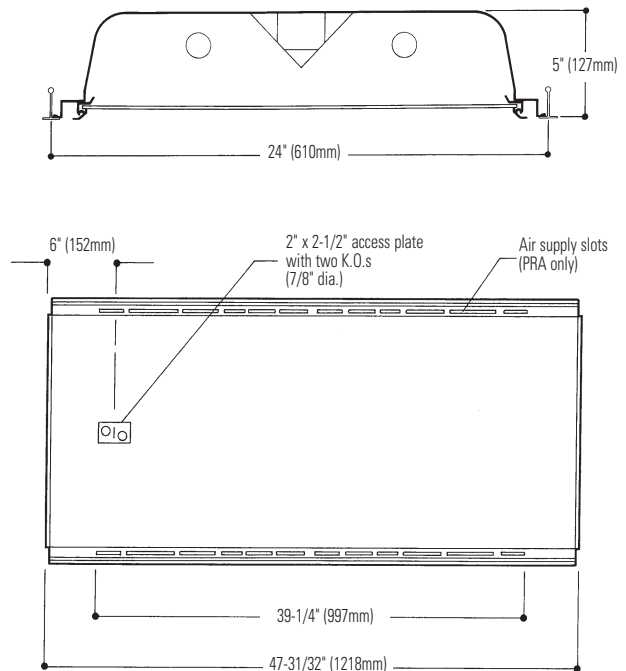
- 5" deep body.
- 2-9/16" lamp to lens for better lamp obscuration.
- 77.9% efficient (2 lamp T8).
- Black housing exterior for cooler ballast operating temperature.
- Clean contoured interior.
- Eyeleted heat removal vents in fixture ends.
- One-piece housing has ribbed construction for added strength.
- Hemmed over side rails for maximum safety.
- Fixture ends turned-in for safe handling.
- Built-in earthquake clips.
- Door jamb finished black on four sides for positive light stop.
- True mitered corner aluminum lens frame.
- Spring loaded rooster head latches.
- 18 gauge steel hinges.
- Construction to meet NYC Code Requirements or Chicago Plenum is available.



Mounting Methods



Dimensions



Job Information

Type:

Job Name:

Cat. No.:

Lamp(s):

Volts/Ballast:

For Factory Technical Information: (978) 657-7600 • Fax (978) 658-0595
631 Airport Road, Fall River, MA 02720 • (508) 679-8131 • Fax (508) 674-4710
We reserve the right to change details of design, materials and finish.
www.lightolier.com © 2009 a Philips Group

09/09

Section 1A/Folio E20-40 Rev. A


2' x 4' Recessed Fluorescent, Floating Lens Frame, Black Reveal Static or Air Supply/Return, 2 Lamp, T8 or T5

Photometry

Model No. PRA2GRFVA232120S0

LER = FP - 61.2 IW - 63.1 BF - 0.87

Comparative yearly lighting energy cost per 1000 lumens = \$3.92



TESTING LABORATORY

45 Industrial Way
Wilmington, MA 01887
(978) 657-7600

REPORT NO.: G00015 DATE: 02-03-2000
 CATALOG NO.: PRA2GRFVA232120S0
 LAMP(S): 2 F32/T8, EACH RATED 2850 LUMENS.
 LUMINAIRE: 2 LAMP, 2X4 TROFFER WITH RP FRAME AND VA LENS
 0.528 AMPS 63.1 WATTS

CANDELA DISTRIBUTION

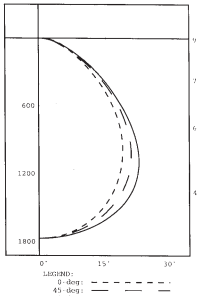
0	0	22.5	45.0	67.5	90.0
0	1769	1769	1769	1769	1769
5	1761	1759	1762	1765	1767
15	1685	1690	1711	1731	1739
25	1531	1550	1603	1653	1673
35	1298	1333	1416	1491	1522
45	990	1029	1112	1192	1209
55	635	673	736	761	778
65	364	377	383	404	425
75	214	208	180	191	203
85	77	77	61	58	58
90	0	0	0	0	0

ZONAL LUMEN SUMMARY

ZONE	LUMENS	%LAMP	%FIXT
0-30	1390	24.4	31.3
0-40	2273	39.9	51.2
0-60	3768	66.1	84.9
0-90	4438	77.9	100.0
90-180	0	0.0	0.0
0-180	4438	77.9	100.0

TOTAL LUMINAIRE EFFICIENCY = 77.9 %
TOTAL REFLECTANCE OF PAINT = 90.0 %
 CIE TYPE - DIRECT
 PLANE : 0-DEG 90-DEG
 SPACING CRITERIA : 1.2 1.3
 SHIELDING ANGLES : 90 90
 PLANE : 0-DEG 90-DEG
 LUMINOUS LENGTH : 45.000 21.000

LUMINANCE DATA IN CANDELA/SQ M
 ANGLE AVERAGE AVERAGE
 IN DEG 0-DEG 45-DEG 90-DEG
 45 2296. 2578. 2803.
 55 1815. 2104. 2224.
 65 1412. 1486. 1649.
 75 1356. 1180. 1286.
 85 1449. 1148. 1091.



THIS REPORT IS BASED ON PUBLISHED INDUSTRY PROCEDURES - FIELD PERFORMANCE MAY VARY FROM LABORATORY PERFORMANCE.

coefficients of utilization — zonal cavity method (effective floor cavity reflectance 0.20)

RF	20			50			20		
RC	80			50			30		
RV	70	50	30	50	30	10	50	30	10
1	85	82	79	77	75	73	74	72	70
2	78	72	67	68	64	61	66	62	60
3	72	64	58	61	56	52	59	55	51
4	66	57	51	54	49	45	53	48	44
5	61	51	45	49	43	39	47	43	39
6	56	47	40	44	39	35	43	38	34
7	52	42	36	41	35	31	39	34	31
8	49	39	32	37	32	28	36	31	28
9	46	36	29	34	29	25	33	28	25
10	43	33	27	32	26	23	31	26	23

visual comfort probability (rated lumens per lamp 3150.)

room size		ceiling height				ceiling height			
W	L	8.5	10.0	13.0	16.0	8.5	10.0	13.0	16.0
20	20	66	70	77	84	65	68	74	81
20	30	60	64	69	75	60	63	66	72
20	40	56	59	64	69	58	60	63	66
20	60	53	56	59	64	56	58	60	62
30	20	68	72	76	82	67	70	74	80
30	30	61	64	68	73	62	64	66	71
30	40	57	60	63	67	59	61	62	65
30	60	53	56	58	62	57	58	59	61
30	80	52	54	55	59	56	58	57	59
40	20	70	73	77	82	69	72	75	80
40	30	63	66	69	73	64	66	67	71
40	40	58	61	63	67	60	62	63	65
40	60	54	56	58	61	58	59	59	61
40	80	52	54	54	58	57	58	57	59
40	100	52	53	53	55	57	58	56	57
60	30	64	67	70	74	65	67	69	72
60	40	60	62	64	67	61	63	64	66
60	60	55	57	58	61	59	60	59	61
60	80	53	54	54	57	57	58	57	59
60	100	53	53	52	55	57	58	56	57
100	40	63	65	66	69	64	66	66	68
100	60	59	60	60	63	61	62	61	63
100	80	56	57	56	59	60	60	59	60
100	100	55	55	54	56	59	59	57	58

Ordering Information

Explanation of Catalog Number. Example: PRA2GRFVA232UNVHI

PR	PK	PX	2	RF	2	2	2	2	-	HI	
Standard Prismalyte Plus	For NYC Code - I.B.E.W. Manufactured	For NYC Code - Local 3 Manufactured	Prismalyte Plus: Floating Lens Frame Recessed Fluorescent Troffer	Body Style: A=Air Handling S=Static	Ceiling Type: G= Grid (lay-in T bar) T= Slot grid or two-directional concealed T see options)	Lens Shielding Type: VA=Virgin acrylic (standard), see options and consult factory	Lens Frame: RF=1/2" regressed floating aluminum frame with 7/16" black reveal four sides.	Lamp Quantity	Lamp Type/ Fixture Length: 32=32W T8 28=28W T5 54=54W T5 (Nominal 48")	Voltage: 120, 277 or UNV=120-277	Ballast Type: <20THD SO * HI * PI † PG †† PG †† PS -
Other dimming options. Consult factory. *Instant Start Standard †Instant Start (120, 277 or UNV) ††Program Rapid Start (UNV only)											

NOTE: For T8 UNV, you must use HI Ballast Code.

Options/Accessories

Special Lenses: Substitute **VY** for **VA** (standard) = .125" nominal pattern 12 with 7.8 oz. average weight per square foot. Substitute **VI** for **VA** (standard) = .125" nominal pattern 12 with 6.8 oz. average weight per square foot.

Radio Interference Filter: To order one RIF per fixture; SUFFIX: **R**. To order one RIF per ballast; SUFFIX: **B**

Air Closure Strip: SUFFIX **ACS4** (factory installed).

Electrical Wiring Options: Consult factory.

Drywall Kit: Order Catalog Number: **FK92X4**.

(Request Folio OA30-10 Rev. A).

Chicago Plenum: SUFFIX: **C**.

Specifications

Performance: In an installation of 2 lamp 32W luminaires in a room cavity ratio of 1, reflectance 80% ceiling, 50% wall, 20% floor, the C.U. shall not be less than .82. To prevent glare the VCP shall be not less than 55 either lengthwise or crosswise (at 100fc level) and the average brightness at 65° shall not exceed 1649 candelas per square meter. To control veiling reflections, luminaire output in the 30°-90° zone shall not be less than 68.7%.

Air Handling: (PRA only) side air passages for air supply or air return. Supply air is discharged vertically. Optional side closure strips. Air return is also provided through the lamp compartment through fixture body ends.

Specifications (continued)

Materials: Chassis parts are die-formed code gauge cold rolled steel. Housing with side rails hemmed over and housing ends turned-in for safe handling.

Finish: Chassis exterior—black baked polyester enamel. Cavity—white baked polyester enamel minimum 86% reflectance. Phosphate undercoating.

Lenses: **VA** (standard) extruded virgin acrylic, 3/16" square based female cones, running 45° to the panel edge, .095" nominal thickness (similar to pattern 12). **VY** (optional).125" nominal pattern 12 with 7.8 oz. average weight per square foot. **VI** (optional).125" nominal pattern 12 with 6.8 oz. average weight per square foot.

Electrical: Thermally protected class "P" ballast C.B.M. approved, non PCB. If K.O. is within 3' of ballast, use wire suitable for at least 90°.

Labels: I.B.E.W. UL and ULc Listed.

This product may have a mercury containing lamp.

Manage in accord with Disposal Laws. See: www.lamprecycle.org

Job Information

Type:

For Factory Technical Information: (978) 657-7600 • Fax (978) 658-0595
 631 Airport Road, Fall River, MA 02720 • (508) 679-8131 • Fax (508) 674-4710

We reserve the right to change details of design, materials and finish.

www.lightolier.com © 2009 a Philips Group

Section 1A/Folio E20-40 Rev. A