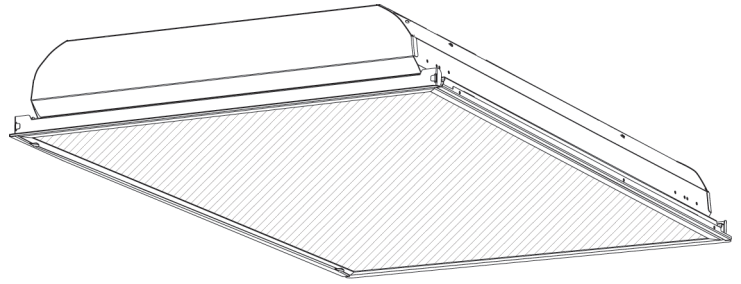


Prismalyte Plus PRA2GRFVA26U or 217

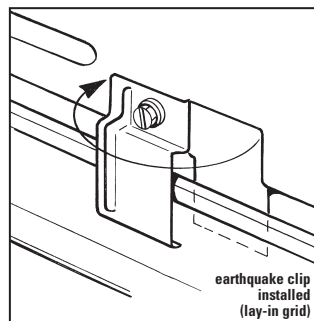
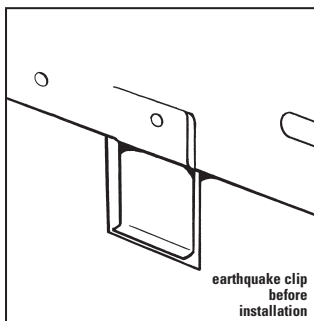
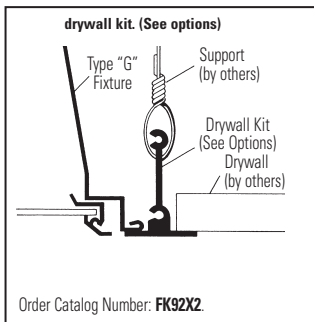
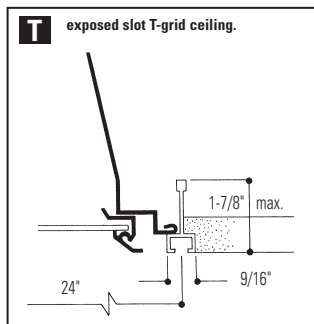
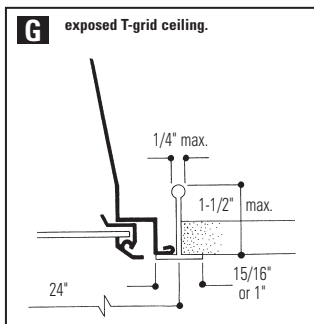
2' x 2' Recessed Fluorescent, Floating Lens Frame, Black Reveal Static or Air Supply/Return, 2 Lamp, T8

Features

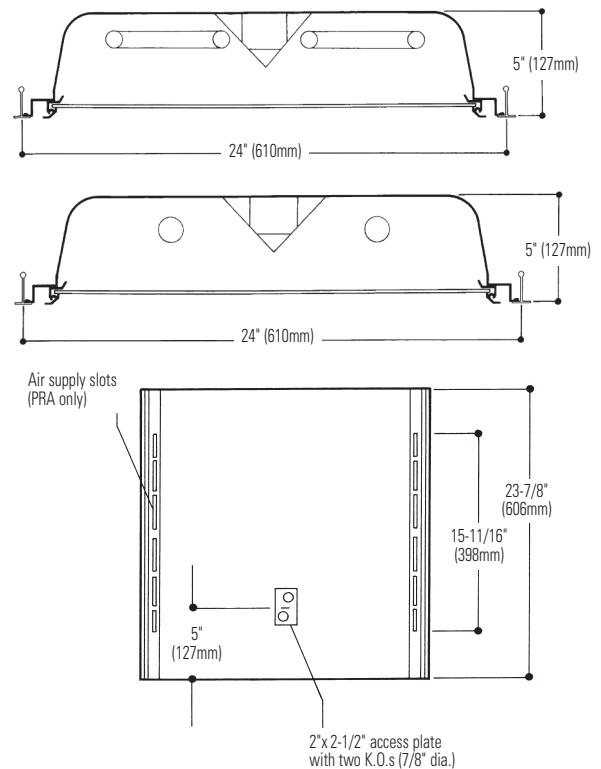
- 5" deep body.
- 2-9/16" lamp to lens for better lamp obscuration.
- 71.6% efficient (2 lamp T8).
- Clean contoured interior.
- Eyeleted heat removal vents in fixture ends.
- Hemmed over side rails for maximum safety.
- Fixture ends turned-in for safe handling.
- Built-in earthquake clips.
- Door jamb finished black on four sides for positive light stop.
- True mitered corner aluminum lens frame.
- Spring loaded rooster head latches.
- 18 gauge steel hinges.



Mounting Methods



Dimensions



Job Information Type:

Job Name:

Cat. No.:

Lamp(s):

Volts/Ballast:

PHILIPS
Day-Brite

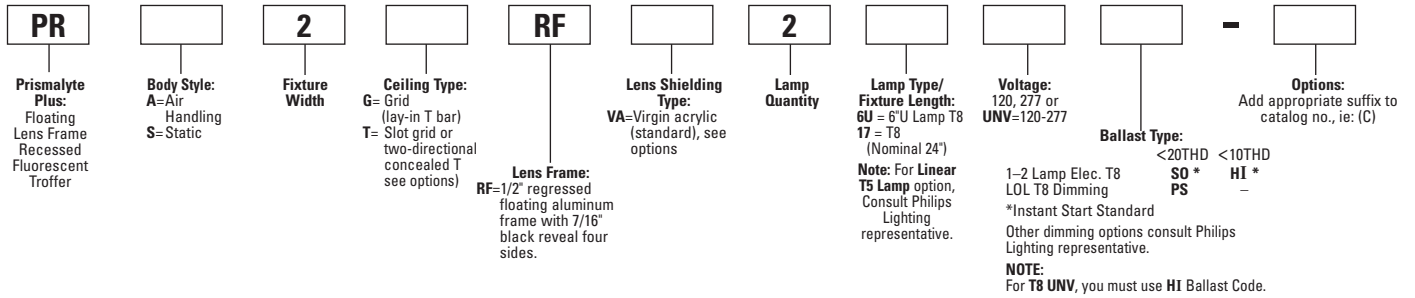
PHILIPS
CFI

Prismalyte Plus PRA2GRFVA26U or 217

2' x 2' Recessed Fluorescent, Floating Lens Frame, Black Reveal Static or Air Supply/Return, 2 Lamp, T8

Ordering Information

Explanation of Catalog Number. Example: PRA2GRFVA26UUNVHI



Options/Accessories

Special Lenses: Substitute **VY** for **VA** (standard) = .125" nominal pattern 12 with 7.8 oz. average weight per square foot. Substitute **VI** for **VA** (standard) = .125" nominal pattern 12 with 6.8 oz. average weight per square foot.

Radio Interference Filter: To order one RIF per fixture; SUFFIX: **R**.
To order one RIF per ballast; SUFFIX: **B**.

Air Closure Strip: SUFFIX **ACS2** (factory installed).

Electrical Wiring Options: Consult Philips Lighting representative.

Drywall Kit: Order Catalog Number: **FK92X2**.

Chicago Plenum: SUFFIX: **C**.

Specifications

Performance: In an installation of 2 lamp 31W luminaires in a room cavity ratio of 1, reflectance 80% ceiling, 50% wall, 20% floor, the C.U. shall not be less than .76. To prevent glare the VCP shall be not less than 41 either length-wise or crosswise (at 100fc level) and the average brightness at 65° shall not exceed 2572 candelas per square meter. To control veiling reflections, luminaire output in the 30°-90° zone shall not be less than 66.9%.

Air Handling: (PRA only) side air passages for air supply or air return. Supply air is discharged vertically. Optional side closure strips. Air return is also provided through the lamp compartment through fixture body ends.

Materials: Chassis parts are die-formed code gauge cold rolled steel. Housing with side rails hemmed over and housing ends turned-in for safe handling.

Finish: Chassis exterior—white baked polyester enamel. **Cavity**—white baked polyester enamel minimum 86% reflectance. Phosphate undercoating.

Lenses: VA (standard) extruded virgin acrylic, 3/16" square based female cones, running 45° to the panel edge, .095" nominal thickness (similar to pattern 12). **VY** (optional) .125" nominal pattern 12 with 7.8 oz. average weight per square foot. **VI** (optional) .125" nominal pattern 12 with 6.8 oz. average weight per square foot.

Electrical: Thermally protected class "P" ballast C.B.M. approved, non PCB. If K.O. is within 3" of ballast, use wire suitable for at least 90°.

Labels: I.B.E.W. UL and ULc Listed.

This product may have a mercury containing lamp.

Manage in accord with Disposal Laws.

See: www.lamprecycle.org

Job Information

Type:

Prismalyte Plus PRA2GRFVA26U or 217


2' x 2' Recessed Fluorescent, Floating Lens Frame, Black Reveal Static or Air Supply/Return, 2 Lamp, T8

Photometry

Model No. PRA2GRFVA26U120S0

LER = FP - 58.4 IW - 56.5 BF - 0.87

Comparative yearly lighting energy cost per 1000 lumens = \$4.25



45 Industrial Way
 Wilmington, MA 01887
 (978) 657-7600

REPORT NO.: G00036 DATE: 03-01-2000
 CATALOG NO.: PRA2GRFVA26U120S0
 LAMP(S): 2 T8 U6, EACH RATED 2750 LUMENS
 LUMINAIRE: NEW 2X2 TROFFER WITH RF FRAME AND VA LENS
 0.47 AMPS 56.5 WATTS

CANDELA DISTRIBUTION **FLUX**

0	0	22.5	45.0	67.5	90.0
0	1708	1708	1708	1708	1708
5	1700	1698	1698	1701	1702
15	1620	1625	1635	1649	1655
25	1467	1478	1501	1524	1531
35	1231	1244	1274	1308	1328
45	904	920	959	1022	1069
55	553	548	592	623	651
65	313	284	269	323	331
75	173	164	141	189	207
85	59	57	54	67	68
90	0	0	0	0	63

ZONAL LUMEN SUMMARY

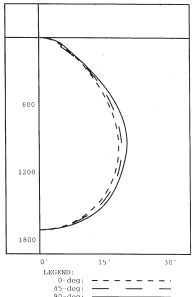
ZONE	LUMENS	%LAMP	%FIXT
0-30	1315	23.9	33.4
0-40	2113	38.4	53.7
0-60	3392	61.7	86.1
0-90	3938	71.6	100.0
90-180	0	0.0	0.0
0-180	3938	71.6	100.0

TOTAL LUMINAIRE EFFICIENCY = 71.6 %
 TOTAL REFLECTANCE OF PAINT = 90.0 %
 CIE TYPE - DIRECT

PLANE : 0-DEG 90-DEG
 SPACING CRITERIA : 1.2 1.2
 SHIELDING ANGLES : 90 90
 PLANE : 0-DEG 90-DEG
 LUMINOUS LENGTH : 21.720 21.720

LUMINANCE DATA IN CANDELA/SQ M
ANGLE AVERAGE AVERAGE AVERAGE

IN DEG	0-DEG	45-DEG	90-DEG
45	4199	4454	4965
55	3167	3390	3728
65	2432	2091	2572
75	2195	1789	2627
85	2223	2035	2563



0° 15° 30°

LEGEND:
 0-deg: ———
 45-deg: - - - -
 90-deg: - - - -

THIS REPORT IS BASED ON PUBLISHED INDUSTRY PROCEDURES - FIELD PERFORMANCE MAY VARY FROM LABORATORY PERFORMANCE.

coefficients of utilization — zonal cavity method (effective floor cavity reflectance 0.20)

	20			20			20			
	RF	RC	RW	RF	RC	RW	RF	RC	RW	
room cavity ratio	1	79	76	73	71	69	67	68	66	65
	2	72	67	62	63	60	57	61	58	55
	3	66	60	54	56	52	49	54	51	48
	4	61	53	48	51	46	42	49	45	42
	5	57	48	42	46	41	37	44	40	37
	6	53	44	38	42	37	33	41	36	33
	7	49	40	34	38	33	29	37	33	29
	8	46	36	31	35	30	26	34	30	26
	9	43	34	28	32	27	24	32	27	24
	10	40	31	26	30	25	22	29	25	22

visual comfort probability (rated lumens per lamp 3150.)

room size		ceiling height				ceiling height			
W	L	8.5	10.0	13.0	16.0	8.5	10.0	13.0	16.0
20	20	57	61	67	73	54	58	64	70
20	30	49	53	58	64	46	50	55	60
20	40	46	48	53	57	42	45	49	54
20	60	42	45	48	52	38	41	43	48
30	20	58	63	67	72	56	61	65	70
30	30	50	54	58	63	47	51	55	60
30	40	46	49	52	56	42	45	49	53
30	60	42	45	47	50	39	41	43	47
30	80	41	43	43	47	38	39	40	43
40	20	60	64	68	72	58	63	67	70
40	30	51	55	59	63	49	53	57	61
40	40	47	50	53	56	44	47	50	53
40	60	43	46	47	50	40	42	43	47
40	80	42	43	43	46	38	40	40	43
40	100	42	43	42	44	39	39	38	40
60	30	52	56	60	64	51	55	58	62
60	40	48	50	53	57	45	48	51	55
60	60	44	46	47	50	41	43	44	48
60	80	42	44	43	46	39	40	40	43
60	100	42	43	42	44	39	39	38	40
100	40	51	53	55	59	49	52	54	57
100	60	47	48	48	52	45	46	46	50
100	80	45	45	45	48	43	43	42	45
100	100	44	44	43	45	42	41	40	41

Job Information
Type:



© 2013 Koninklijke Philips N.V. All rights reserved.
 Specifications are subject to change without notice.
www.philips.com/luminaires

Philips Lighting Company
 200 Franklin Square Drive
 Somerset, NJ 08873
 Phone: 855-486-2216

Philips Lighting Company
 281 Hillmount Road
 Markham ON, Canada L6C 2S3
 Phone: 800-668-9008