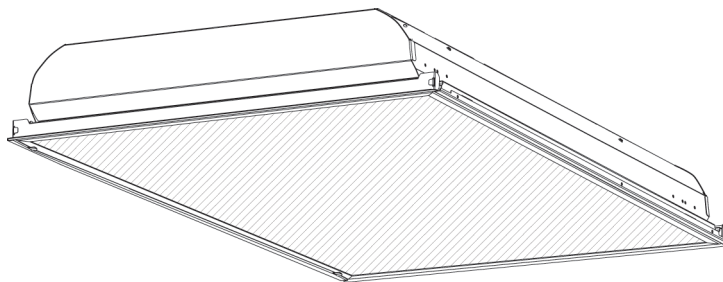


# Prismalyte Plus PRA2GRFVA2FT or 3FT

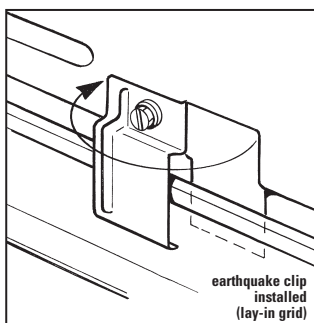
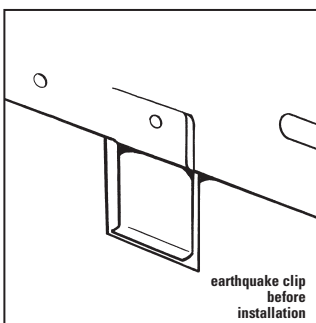
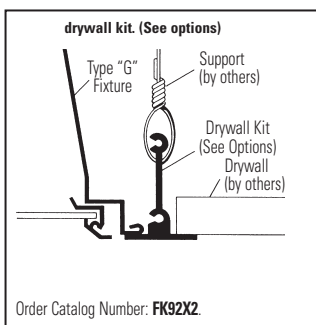
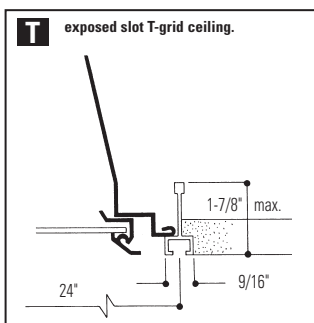
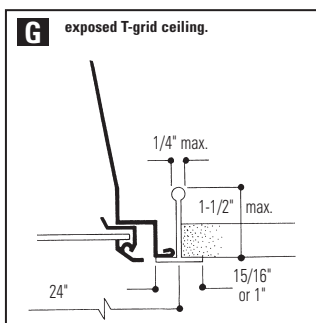
## 2' x 2' Recessed Fluorescent, Floating Lens Frame, Black Reveal Static or Air Supply/Return, 2 or 3 Lamp, Twin Tube T5

### Features

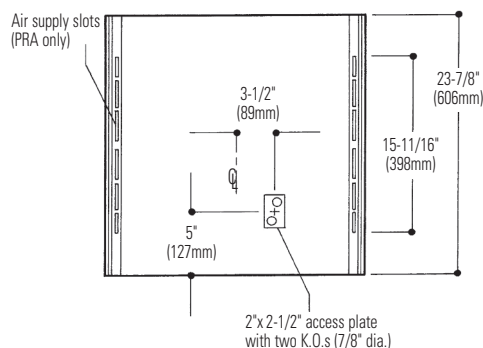
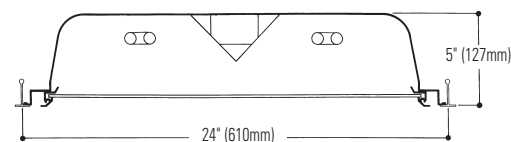
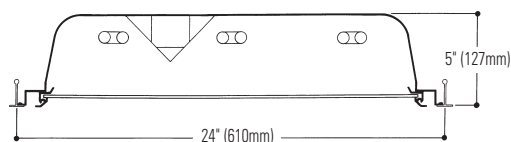
- 5" deep body.
- 2-9/16" lamp to lens for better lamp obscuration.
- 75.4% efficient (3 lamp TT5).
- Clean contoured interior.
- Eyeleted heat removal vents in fixture ends.
- Hemmed over side rails for maximum safety.
- Fixture ends turned-in for safe handling.
- Built-in earthquake clips.
- Door jamb finished black on four sides for positive light stop.
- True mitered corner aluminum lens frame.
- Spring loaded rooster head latches.
- 18 gauge steel hinges.
- 2 lamp TT5 available.



### Mounting Methods



### Dimensions



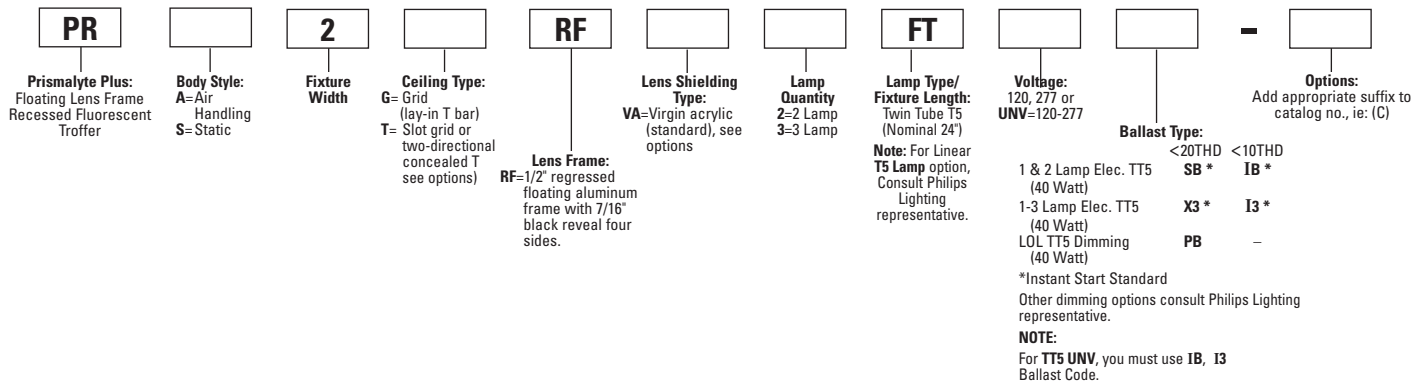
<b>Job Information</b>	<b>Type:</b>
<b>Job Name:</b>	
<b>Cat. No.:</b>	
<b>Lamp(s):</b>	
<b>Volts/Ballast:</b>	

# Prismalyte Plus PRA2GRFVA2FT or 3FT

## 2' x 2' Recessed Fluorescent, Floating Lens Frame, Black Reveal Static or Air Supply/Return, 2 or 3 Lamp, Twin Tube T5

### Ordering Information

Explanation of Catalog Number. Example: PRA2GRFVA3FTUNV13



### Options/Accessories

**Special Lenses:** Substitute **VY** for **VA** (standard) = .125" nominal pattern 12 with 7.8 oz. average weight per square foot. Substitute **VI** for **VA** (standard) = .125" nominal pattern 12 with 6.8 oz. average weight per square foot.

**Radio Interference Filter:** To order one RIF per fixture; SUFFIX: **R**.  
To order one RIF per ballast; SUFFIX: **B**.

**Air Closure Strip:** SUFFIX **ACS2** (factory installed).

**Electrical Wiring Options:** Consult Philips Lighting representative.

**Drywall Kit:** Order Catalog Number: **FK92X2**.

**Chicago Plenum:** SUFFIX: **C**.

### Specifications

**Performance:** In an installation of 3 lamp 40W luminaires in a room cavity ratio of 1, reflectance 80% ceiling, 50% wall, 20% floor, the C.U. shall not be less than .71. To prevent glare the VCP shall be not less than 36 either length-wise or crosswise (at 100fc level) and the average brightness at 65° shall not exceed 4656 candelas per square meter. To control veiling reflections, luminaire output in the 30°-90° zone shall not be less than 66.2%.

**Air Handling:** (PRA only) side air passages for air supply or air return. Supply air is discharged vertically. Optional side closure strips. Air return is also provided through the lamp compartment through fixture body ends.

**Materials: Chassis parts** are die-formed code gauge cold rolled steel. Housing with side rails hemmed over and housing ends turned-in for safe handling.

**Finish: Chassis exterior**—white baked polyester enamel. **Cavity**—white baked polyester enamel minimum 86% reflectance. Phosphate undercoating.

**Lenses: VA** (standard) extruded virgin acrylic, 3/16" square based female cones, running 45° to the panel edge, .095" nominal thickness (similar to pattern 12). **VY** (optional) .125" nominal pattern 12 with 7.8 oz. average weight per square foot. **VI** (optional) .125" nominal pattern 12 with 6.8 oz. average weight per square foot.

**Electrical:** Thermally protected class "P" ballast C.B.M. approved, non PCB. If K.O. is within 3" of ballast, use wire suitable for at least 90°.

**Labels:** I.B.E.W. UL and ULc Listed.

This product may have a mercury containing lamp.

Manage in accord with Disposal Laws.

See: [www.lamprecycle.org](http://www.lamprecycle.org)

**Job Information**

**Type:**

