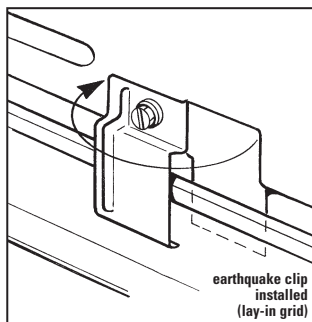
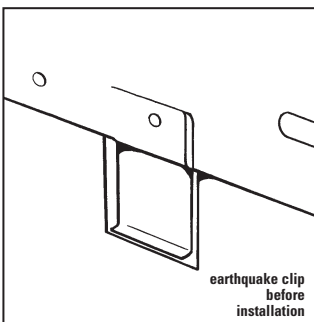
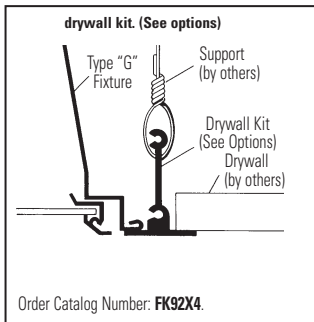
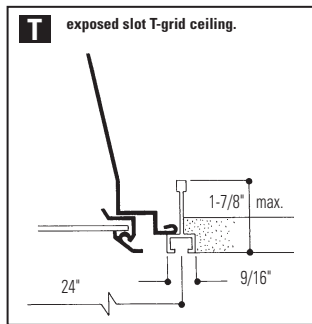
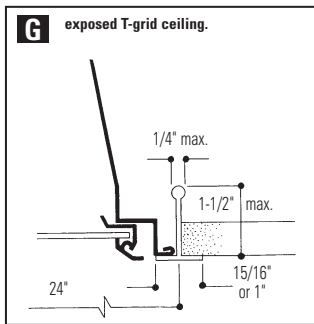


2' x 4' Recessed Fluorescent, Floating Lens Frame, Black Reveal Static or Air Supply/Return, 3 Lamp, T8 or T5

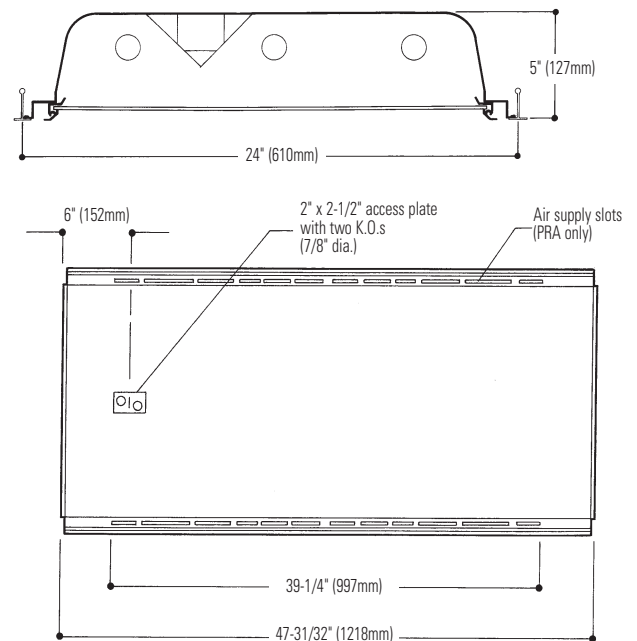
- 5" deep body.
- 2-9/16" lamp to lens for better lamp obscuration.
- 77.5% efficient (3 lamp T8).
- Black housing exterior for cooler ballast operating temperature.
- Clean contoured interior.
- Eyeleted heat removal vents in fixture ends.
- One-piece housing has ribbed construction for added strength.
- Hemmed over side rails for maximum safety.
- Fixture ends turned-in for safe handling.
- Built-in earthquake clips.
- Door jamb finished black on four sides for positive light stop.
- True mitered corner aluminum lens frame.
- Spring loaded rooster head latches.
- 18 gauge steel hinges.
- Construction to meet NYC Code Requirements or Chicago Plenum is available.



Mounting Methods



Dimensions



Job Information

Type:

Job Name:

Cat. No.:

Lamp(s):

Volts/Ballast:

For Factory Technical Information: (978) 657-7600 • Fax (978) 658-0595
631 Airport Road, Fall River, MA 02720 • (508) 679-8131 • Fax (508) 674-4710
We reserve the right to change details of design, materials and finish.
www.lightolier.com © 2009 a Philips Group

09/09

Section 1A/Folio E20-42 Rev. A


2' x 4' Recessed Fluorescent, Floating Lens Frame, Black Reveal Static or Air Supply/Return, 3 Lamp, T8 or T5

Photometry

Model No. PRA2GRFVA33212003

LER = FP - 65.6 IW - 89.6 BF - 0.89

Comparative yearly lighting energy cost per 1000 lumens = \$3.66



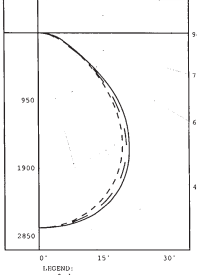
TESTING LABORATORY

45 Industrial Way
Wilmington, MA 01887
(978) 657-7600

REPORT NO.: G00063 DATE: 04-05-2000
 CATALOG NO.: PRA2GRFVA33212003
 LAMP(S): 3x PRA2GRFVA33212003, EACH RATED 2850 LUMENS.
 LUMINAIRE: NEW 2X4 TROFFER WITH PRA STYLE FRAME,
 VA LENS, AND 1 COVER
 ADVANCE REL-3P32-RH-TP
 0.76 AMPS 89.6 WATTS

CANDELA DISTRIBUTION FLUX

0	0	22.5	45.0	67.5	90.0
0	2729	2729	2729	2729	2729
5	2716	2716	2716	2724	2726
15	2608	2618	2645	2664	2677
25	2391	2416	2463	2502	2519
35	2054	2081	2143	2185	2209
45	1554	1587	1643	1710	1749
55	997	997	1041	1080	1124
65	557	531	519	569	567
75	278	269	242	303	326
85	95	94	91	107	107
90	0	0	0	0	0



ZONAL LUMEN SUMMARY

ZONE	LUMENS	% LAMP	% FIXT
0-30	2139	25.0	32.3
0-40	3473	40.6	52.4
0-60	5679	66.4	85.7
0-90	6627	77.5	100.0
90-180	0	0.0	0.0
0-180	6627	77.5	100.0

TOTAL LUMINAIRE EFFICIENCY = 77.5 %
 TOTAL REFLECTANCE OF PAINT = 90.0 %
 CIE TYPE - DIRECT

FLARE : 0-DEG 90-DEG
 SPACING CRITERIA : 1.2 1.3
 SHIELDING ANGLES : 90 90
 FLARE : 0-DEG 90-DEG
 LUMINOUS LENGTH : 45.000 21.000

LUMINANCE DATA IN CANDELA/SQ M

ANGLE	AVERAGE	AVERAGE	AVERAGE
IN DEG	0-DEG	45-DEG	90-DEG
45	360.3	381.0	405.6
55	285.0	297.6	321.3
65	216.1	201.4	220.0
75	176.1	153.3	206.5
85	178.7	171.2	201.3

THIS REPORT IS BASED ON PUBLISHED INDUSTRY PROCEDURES - FIELD PERFORMANCE MAY VARY FROM LABORATORY PERFORMANCE.

coefficients of utilization — zonal cavity method (effective floor cavity reflectance 0.20)

RF	20			20			20			
RC	80			50			30			
RVV	70	50	30	50	30	10	50	30	10	
room cavity ratio	1	85	82	79	77	74	72	74	72	70
	2	78	72	67	68	64	61	66	62	60
	3	72	64	58	61	56	52	59	55	51
	4	66	57	51	54	49	45	53	48	45
	5	61	52	45	49	44	40	48	43	39
	6	57	47	40	45	39	35	43	38	35
	7	53	43	36	41	35	31	40	35	31
	8	49	39	33	37	32	28	36	32	28
	9	46	36	30	35	29	25	34	29	25
	10	43	33	27	32	27	23	31	26	23

visual comfort probability (rated lumens per lamp 3150.)

room size		ceiling height				ceiling height			
W	L	8.5	10.0	13.0	16.0	8.5	10.0	13.0	16.0
20	20	62	66	72	79	60	64	70	77
20	30	56	59	63	69	53	57	61	67
20	40	53	55	59	63	49	52	56	61
20	60	50	53	55	59	46	49	52	56
30	20	63	67	71	77	62	66	70	76
30	30	57	60	63	68	55	58	61	66
30	40	53	55	58	61	50	53	56	59
30	60	50	52	53	57	47	49	50	54
30	80	49	51	51	54	46	47	48	51
40	20	65	69	73	77	64	68	72	76
40	30	58	61	64	68	57	60	63	66
40	40	54	56	59	61	52	54	57	59
40	60	51	53	54	56	48	50	51	54
40	80	49	51	51	53	46	48	48	50
40	100	49	50	49	51	47	47	46	48
60	30	59	62	65	68	58	61	64	67
60	40	55	57	59	62	53	55	57	60
60	60	51	53	54	56	49	50	51	54
60	80	49	51	50	53	47	48	48	50
60	100	49	50	49	51	47	47	46	48
100	40	58	60	61	64	57	59	60	63
100	60	54	55	55	58	52	53	54	57
100	80	52	52	52	54	50	51	50	52
100	100	51	51	50	52	50	49	47	48

Ordering Information

Explanation of Catalog Number. Example: PRA2GRFVA332UNVH3

PR	PK	PX	2	RF	3	-			
Prismalyte Plus: Floating Lens Frame Recessed Fluorescent Troffer	Body Style: A=Air Handling S=Static	Standard Prismalyte Plus For NYC Code - I.B.E.W. Manufactured For NYC Code - Local 3 Manufactured	Ceiling Type: G= Grid (lay-in T bar) T= Slot grid or two-directional concealed T (see options)	Lens Frame: RF=1/2" regressed floating aluminum frame with 7/16" black reveal four sides.	Lamp Quantity	Lamp Type/ Fixture Length: 32=32W T8 28=28W T5 54=54W T5 (Nominal 48")	Voltage: 120, 277 or UNV=120-277	Ballast Type: <20THD SO * O3 * - - - - PS Other dimming options. Consult factory. *Instant Start Standard †Instant Start (120, 277 or UNV) ‡Program Rapid Start (UNV only)	Options: Add appropriate suffix to catalog no., ie: (C) HI * H3 * PI † PG †† P5 †† -

Options/Accessories

Special Lenses: Substitute **VY** for **VA** (standard) = .125" nominal pattern 12 with 7.8 oz. average weight per square foot. Substitute **VI** for **VA** (standard) = .125" nominal pattern 12 with 6.8 oz. average weight per square foot.

Radio Interference Filter: To order one RIF per fixture; SUFFIX: **R**. To order one RIF per ballast; SUFFIX: **B**.

Air Closure Strip: SUFFIX **ACS4** (factory installed).

Electrical Wiring Options: Consult factory.

Drywall Kit: Order Catalog Number: **FK92X4**. (Request Folio OA30-10 Rev. A).

Chicago Plenum: SUFFIX: **C**.

Specifications

Performance: In an installation of 3 lamp 32W luminaires in a room cavity ratio of 1, reflectance 80% ceiling, 50% wall, 20% floor, the C.U. shall not be less than .82. To prevent glare the VCP shall be not less than 49 either lengthwise or crosswise (at 100fc level) and the average brightness at 65° shall not exceed 2200 candelas per square meter. To control veiling reflections, luminaire output in the 30°-90° zone shall not be less than 67.7%.

Air Handling: (PRA only) side air passages for air supply or air return. Supply air is discharged vertically. Optional side closure strips. Air return is also provided through the lamp compartment through fixture body ends.

Specifications (continued)

Materials: Chassis parts are die-formed code gauge cold rolled steel. Housing with side rails hemmed over and housing ends turned-in for safe handling.

Finish: Chassis exterior—black baked polyester enamel. Cavity—white baked polyester enamel minimum 86% reflectance. Phosphate undercoating.

Lenses: **VA** (standard) extruded virgin acrylic, 3/16" square based female cones, running 45° to the panel edge, .095" nominal thickness (similar to pattern 12). **VY** (optional), .125" nominal pattern 12 with 7.8 oz. average weight per square foot. **VI** (optional), .125" nominal pattern 12 with 6.8 oz. average weight per square foot.

Electrical: Thermally protected class "P" ballast C.B.M. approved, non PCB. If K.O. is within 3" of ballast, use wire suitable for at least 90°.

Labels: I.B.E.W. UL and ULc Listed.

This product may have a mercury containing lamp.
 Manage in accord with Disposal Laws. See: www.lamprecycle.org

Job Information

Type:

For Factory Technical Information: (978) 657-7600 • Fax (978) 658-0595
 631 Airport Road, Fall River, MA 02720 • (508) 679-8131 • Fax (508) 674-4710
 We reserve the right to change details of design, materials and finish.
 www.lightolier.com © 2009 a Philips Group **Section 1A/Folio E20-42 Rev. A**