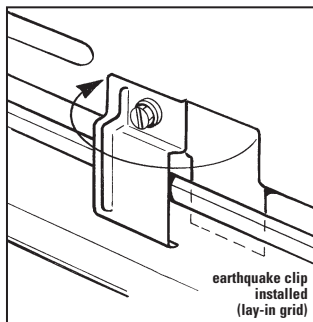
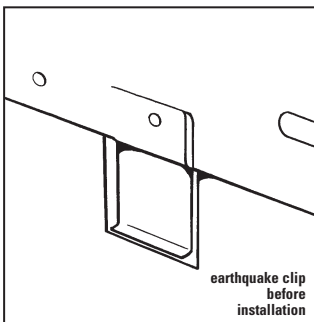
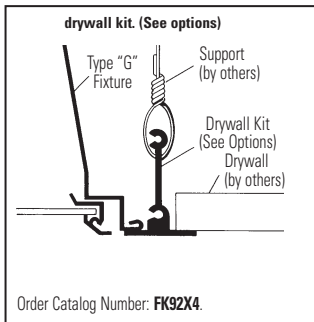
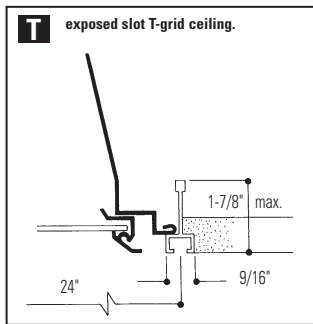
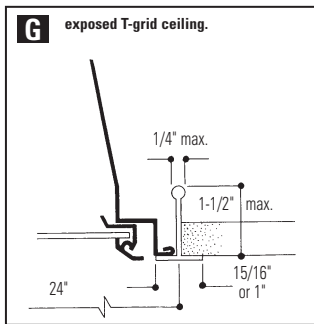


2' x 4' Recessed Fluorescent, Floating Lens Frame, Black Reveal Static or Air Supply/Return, 4 Lamp, T8 or T5

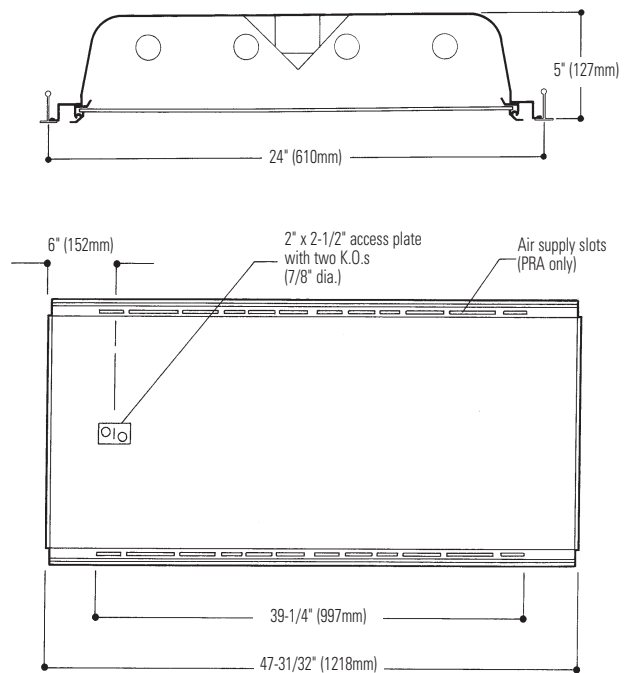
- 5" deep body.
- 2-9/16" lamp to lens for better lamp obscuration.
- 76.7% efficient (4 lamp T8).
- Black housing exterior for cooler ballast operating temperature.
- Clean contoured interior.
- Eyeleted heat removal vents in fixture ends.
- One-piece housing has ribbed construction for added strength.
- Hemmed over side rails for maximum safety.
- Fixture ends turned-in for safe handling.
- Built-in earthquake clips.
- Door jamb finished black on four sides for positive light stop.
- True mitered corner aluminum lens frame.
- Spring loaded rooster head latches.
- 18 gauge steel hinges.
- Construction to meet NYC Code Requirements or Chicago Plenum is available.



Mounting Methods



Dimensions



Job Information

Type:

Job Name:

Cat. No.:

Lamp(s):

Volts/Ballast:

For Factory Technical Information: (978) 657-7600 • Fax (978) 658-0595
631 Airport Road, Fall River, MA 02720 • (508) 679-8131 • Fax (508) 674-4710
We reserve the right to change details of design, materials and finish.
www.lightolier.com © 2009 a Philips Group

09/09

Section 1A/Folio E20-44 Rev. A

