

# ALTER SOFT LIGHTS QVW8SPFOS

SURFACE SCONCE II, DIRECT/INDIRECT FLUORESCENT, 2 LAMP, TT5 BI-TUBE 18W, 40W & T8-32W, 4" DEEP, MICROPERFORATED MESH LAMP SHIELD

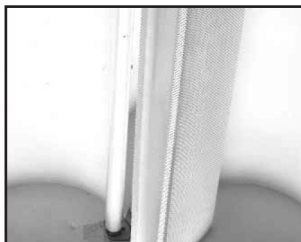
## Features

- Efficiency 69.7%. (2ft. 40w TT5 Bi-Tube)
- Uses mounting surface as part of optical system.
- Swing down microperforated lamp shields for easy relamping and maintenance.
- Alter soft white film on inside of mesh conceals lamp image providing balance between reflected and direct light.
- 95% Reflective Alter soft white paint finish.
- One piece body for easy installation.
- Optional acrylic drop-down visual element (ceiling mount only).
- Meets ADA when wall mounted.
- Available in 12", 12" and 48" options.

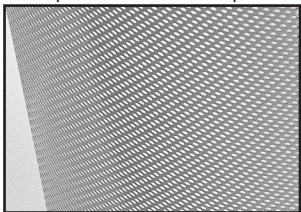


## Mounting Methods / Features

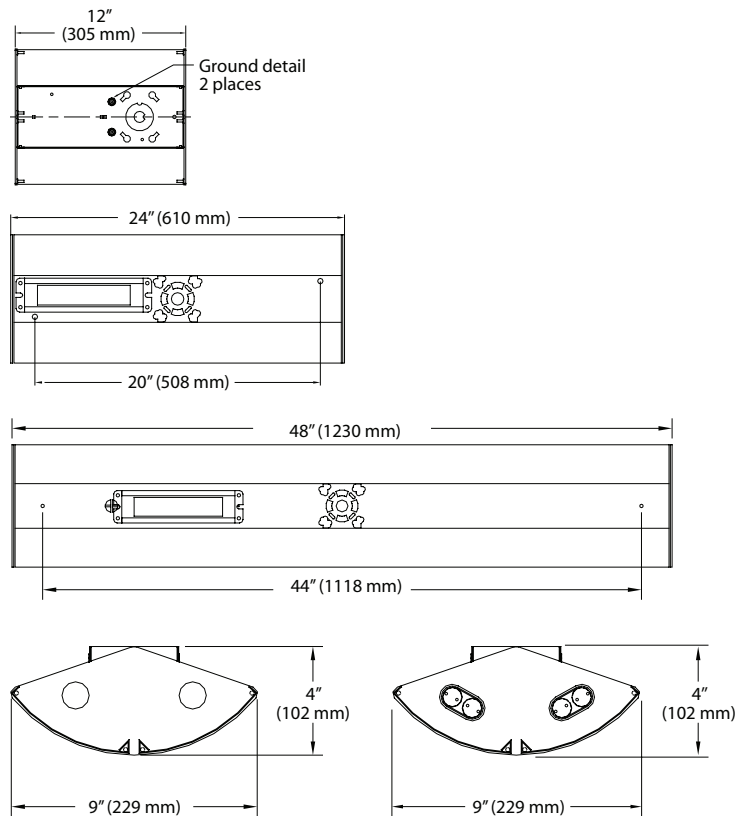
Swing down optical system for easy relamping and maintenance



Microperforated mesh lamp shield



## Dimensions



**FIXTURE TYPE** \_\_\_\_\_ **VOLTS** \_\_\_\_\_

\_\_\_\_\_

\_\_\_\_\_

**JOB INFORMATION:** \_\_\_\_\_

\_\_\_\_\_

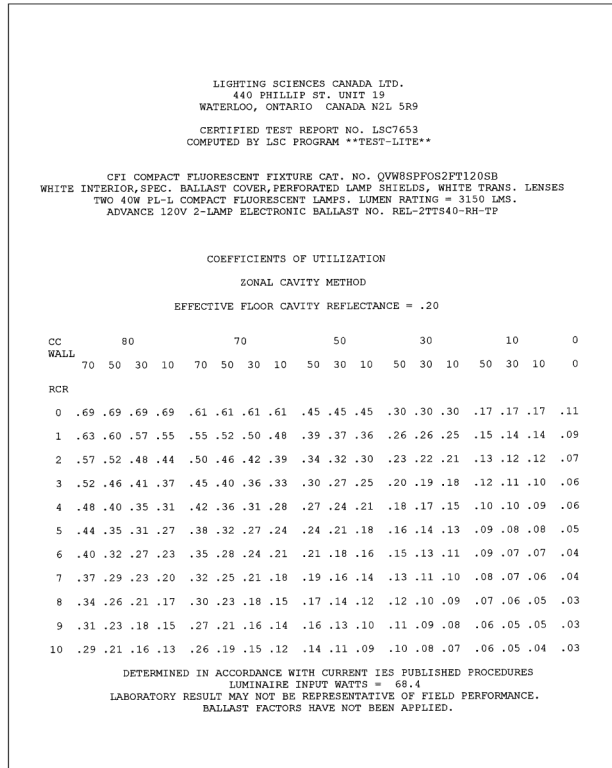
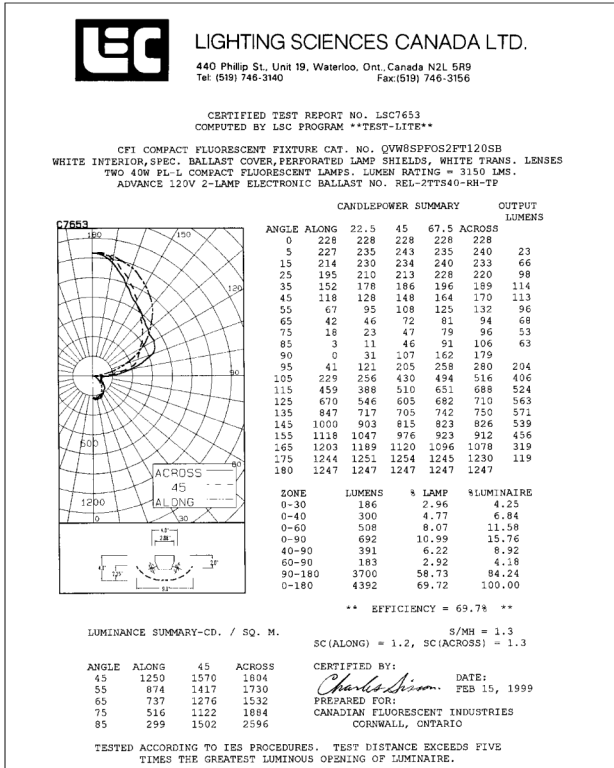
\_\_\_\_\_

# ALTER SOFT LIGHTS QVW8SPFOS

## SURFACE SCONCE II, DIRECT/INDIRECT FLUORESCENT, 2 LAMP, TT5 BI-TUBE 18W, 40W & T8-32W, 4" DEEP, MICROPERFORATED MESH LAMP SHIELD

### Photometry

### Model No. : QVW8SPFOS2FT



### Ordering Information Explanation of Catalogue Number Example: QVW8SPFOS2FT

<b>QVW</b>	<b>8</b>	<b>S</b>	<b>PF</b>		<b>2</b>	<b>FT</b>			
<b>QUALITY VISUAL STATIC</b>	<b>FIXTURE WIDTH</b>	<b>WALL/SURFACE</b>	<b>LAMP SHIELD</b>	<b>CLEAR POLISHED ACRYLIC DROP DOWN VISUAL ELEMENT (Ceiling mount only)</b>	<b>LAMP QUANTITY</b>	<b>LAMP/FIXTURE LENGTH</b>	<b>VOLTAGE</b>	<b>BALLAST TYPE</b>	<b>OPTIONS</b>
Wall/Surface direct-indirect soft light optical system	9'		PF=Micro-perforated	OS=One slot (no acrylic) GC=Clear acrylic GG=Clear acrylic / Green projected color face GB=Clear acrylic / Blue projected color face GR=Clear acrylic / Red projected color face		FT= TT5 bi-tube (nominal 24") 18= 18W TT5 (nominal 12") 32= 32W T8 (nominal 48")	120, 277, 347	BA=18W Electronic TT5 RS* BD=55W Electronic TT5 RS* BE=50W Electronic TT5 RS BR=40W Electronic TT5 RS BX=40W Magnetic TT5 RS PB=40W TT5 PowerSpec* PC=50/55W TT5 PowerSpec Dimming* SB=40W Generic Electronic TT5 IS SO=Electronic T8 Instant Start	Add appropriate suffix to catalogue no.

\* Not available in 347V.  
For other ballast options, consult ballast specification sheet (folio BA-1-02)

### SPECIFICATIONS

**MATERIALS:** One piece chassis constructed from die formed 20 gauge cold rolled steel. Reflectors - 95% reflectance baked white acrylic matte paint finish. Soft white acrylic film on inside of lamp shield conceals lamp image.

**FINISH:** Chassis exterior - phosphate undercoating, baked white acrylic matte high reflectance paint finish.

**ELECTRICAL:** Rapid start HPF, thermally protected class "P" ballast (Bi-tube type). If K.O.s are within 3" of ballast use wire suitable for at least 90C.

**LABELS:** Listed by CSA, UL

### Job Information Type:

**Lightolier** a Genlyte Thomas Company  
Technical Information: (978) 657-7600 - (978) 658-0595  
631 Airport Road, Fall River, MA 02720 - (508) 679-8131  
C.F.I. Division of Canlyte, Inc.  
525 Education Road, Cornwall, Ontario, Canada K6H 6C7 - (613) 938-6221  
We reserve the right to change details of design, materials and finish.  
© 2005p Genlyte Thomas Group LLC (Lightolier Division)  
A0902 **Section 5 / Folio L70-16**

**LIGHTOLIER**