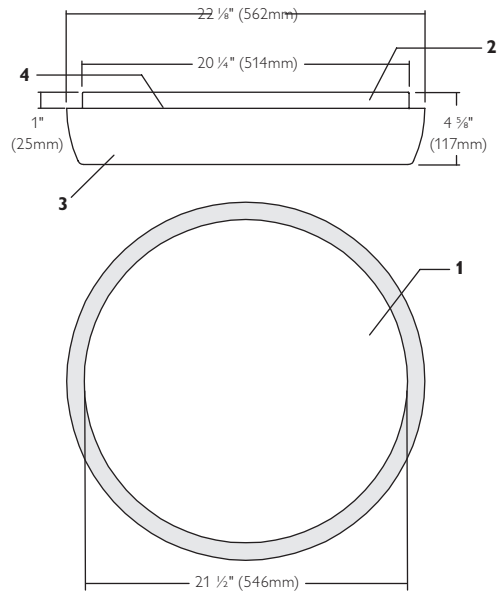


RC22AL

Decorative, Optimo, 22" Round Curved

Page 1 of 2



Ordering Information

| Diffuser Catalog Number | Backplate | Wattage | Volts | Lamping |
|-------------------------|-----------|-------------|----------|-----------------------------|
| RC22AL | R2436U | 24W and 36W | 120-277V | (4) Twin Tube |
| | R222436U | 24W and 36W | 120-277V | (3) Twin Tube |
| | R222436UE | 24W and 36W | 120-277V | (3) Twin Tube |
| | R01L22 | 66W | 120V | (14) 3500K white LED boards |

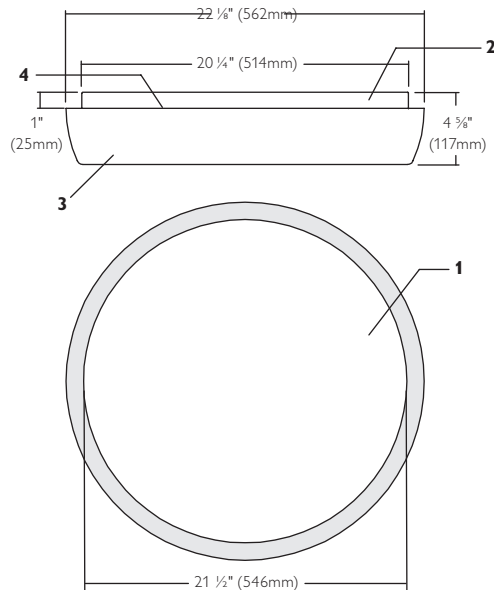
| Job Information | Type: |
|-----------------|-------|
| Job Name: | |
| Cat. No.: | |
| Notes: | |

PHILIPS
LIGHTOLIER

RC22AL

Decorative, Optimo, 22" Round Curved

Page 2 of 2



Features

- 1. Diffuser:** UV resistant acrylic
- 2. Backplate:** Stamped 20ga. (0.036") C.R.S., gloss white powder coat finish
- 3. Housing:** Die-cast aluminum
- 4. Back Light:** Acrylic 2mm thick

Emergency

Bodine B4CFG emergency battery pack with test light and indicator switch, suitable for damp location.

Mechanical

Diffuser elements securely fasten to backplate using twist-lock fasteners. Fixtures Suitable for wall or ceiling mounting applications.

Finish

Brushed and clear lacquered

Accessories

Color Insert Kit, RACC22. Citrine, Garnet and Sapphire

Labels

cULus listed, suitable for damp locations. ULus listed.



Philips Lightolier
e: lol.webmaster@philips.com
t: (508) 679-8131
w: www.lightolier.com

RC22AL.indd September 8, 2011

Specifications are subject to change without notice.
© Koninklijke Philips Electronics N.V., 2011. All rights reserved.

| | |
|------------------------|--------------|
| Job Information | Type: |
|------------------------|--------------|