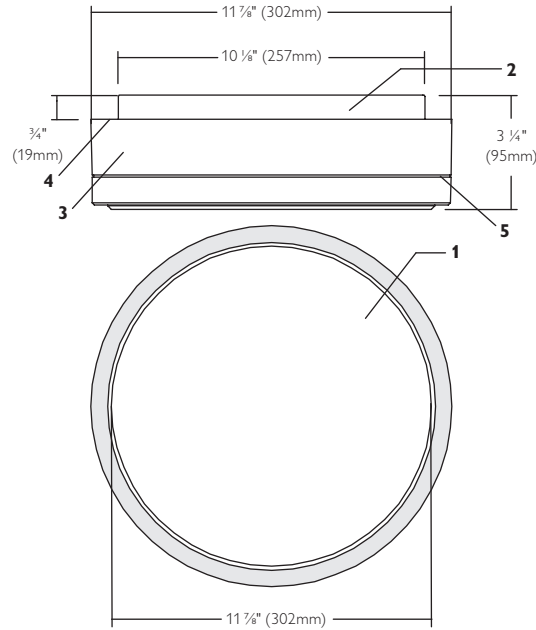


RR12AL

Decorative, Optimo, 12" Round Reveal

Page 1 of 2



Fixture Ordering Information

Diffuser Catalog Number	Backplate	Wattage	Volts	Lamping
RR12AL	R122U	22W	120V/277V	(1) T5 Circular
	R01L12	18W	120V	(4) 3500K White LED Boards

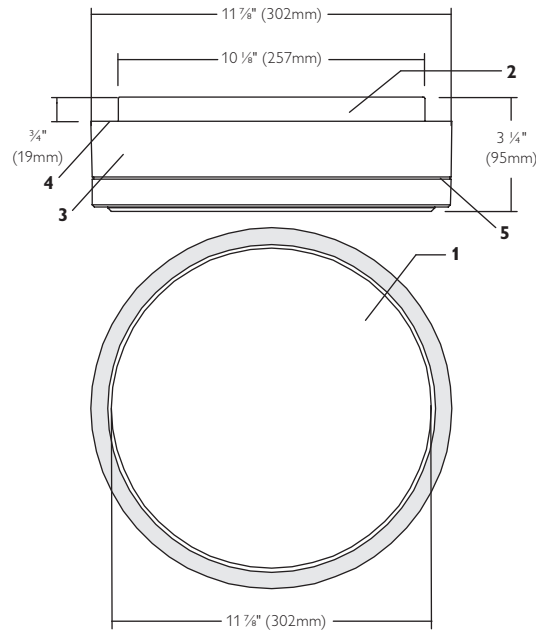
Job Information	Type:
Job Name:	
Cat. No.:	
Notes:	

PHILIPS
LIGHTOLIER

RR12AL

Decorative, Optimo, 12" Round Reveal

Page 2 of 2



Features

- 1. Diffuser:** Injection molded, impact and UV resistant polycarbonate.
- 2. Backplate:** Stamped 20ga.(0.036") C.R.S., gloss white powder coat finish.
- 3. Housing:** Die-cast aluminum
- 4. Back Light:** Acrylic 2mm thick
- 5. Spill Light:** Acrylic 0.6mm thick

Mechanical

Diffuser assembly fastens securely to backplate using internal twist-lock fasteners. Fixtures suitable for wall or ceiling mounting applications.

Finish

Brushed and clear lacquered aluminum

Accessories

Color Insert Kit, RACC12. Citrine, Garnet and Sapphire

Labels

cULus listed, suitable for damp locations. ULus listed.

*ADA compliant.



Philips Lightolier
e: lol.webmaster@philips.com
t: (508) 679-8131
w: www.lightolier.com

RR12AL.indd September 7, 2011

Specifications are subject to change without notice.
© Koninklijke Philips Electronics N.V., 2011. All rights reserved.

Job Information	Type:
------------------------	--------------