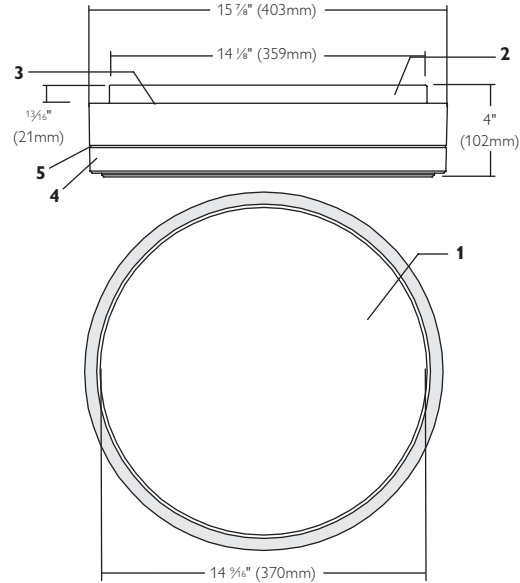


RR16AL

Decorative, Optimo, 16" Round Reveal

Page 1 of 2



Ordering Information

Diffuser Catalog Number	Backplate	Wattage	Volts	Lamping
RR16AL	R2240U	22W and 40W	120-277V	(2) T5 Circular
	R16140U	40W	120-277V	(1) T5 Circular
	R16140UE	40W	120-277V	(1) T5 Circular
	R01L16	33W	120V	(7) 3500K white LED boards

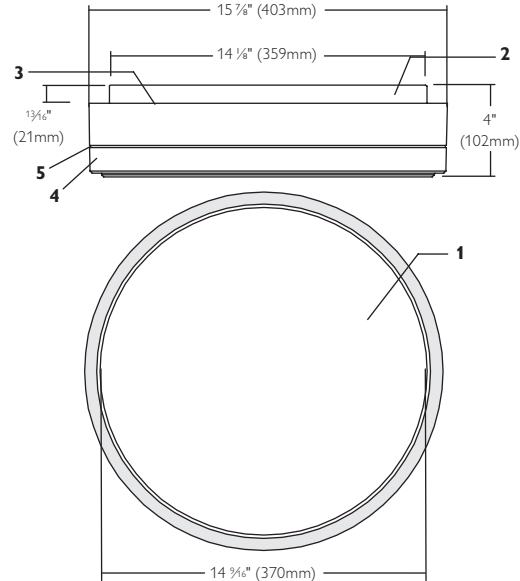
Job Information	Type:
Job Name:	
Cat. No.:	
Notes:	

PHILIPS
LIGHTOLIER

RR16AL

Decorative, Optimo, 16" Round Reveal

Page 2 of 2



Features

- 1. Diffuser:** Injection molded, impact and UV resistant polycarbonate
- 2. Backplate:** Stamped 20ga. (0.036") C.R.S., gloss white powder coat finish
- 3. Upper Housing:** Die-cast aluminum
- 4. Lower Housing:** Die-cast aluminum
- 5. Spill Light:** Acrylic 0.6mm thick
- 6. Back Light:** Acrylic 2mm thick

Emergency

Bodine B4CFG emergency battery pack with test light and indicator switch, suitable for damp location.

Mechanical

Diffuser elements securely fasten to backplate using twist-lock fasteners. Fixtures suitable for wall or ceiling mounting applications.

Finish

Brushed and clear lacquered

Accessories

Color Insert Kit, RACC16. Citrine, Garnet and Sapphire

Labels

cULus listed, suitable for damp locations. ULus listed

* ADA compliant.



Philips Lightolier
e: lol.webmaster@philips.com
t: (508) 679-8131
w: www.lightolier.com

RR16AL September 7, 2011

Specifications are subject to change without notice.
© Koninklijke Philips Electronics N.V., 2011. All rights reserved.

Job Information	Type:
------------------------	--------------