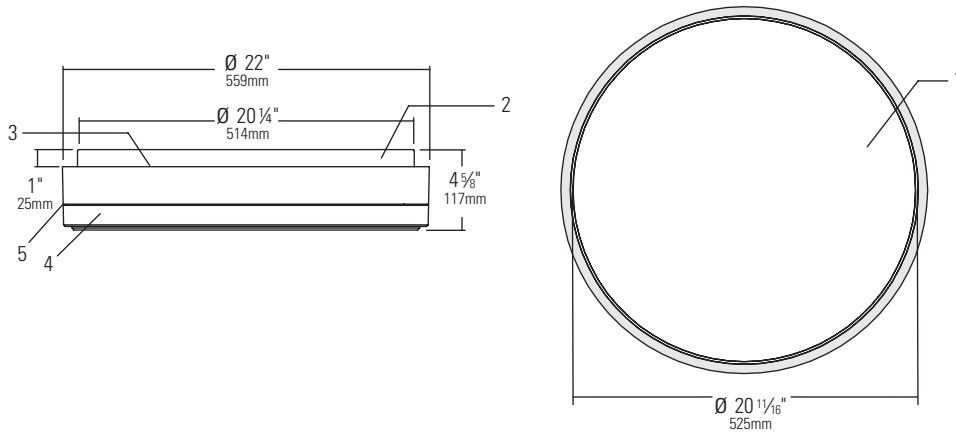


# RR22AL

## Decorative, Optimo, 22" Round Reveal

Page 1 of 2



### Ordering Information

Diffuser Catalog Number	Backplate	Wattage	Volts	Lamping
RR22AL	R2436U	(2)24W and (2)36W	120-277V	(4) Twin Tube
	R222436U	(2)24W and (1)36W	120-277V	(3) Twin Tube
	R222436UE	(2)24W and (1)36W	120-277V	(3) Twin Tube
	R01L22	66W	120V	(14) 3500K white LED boards

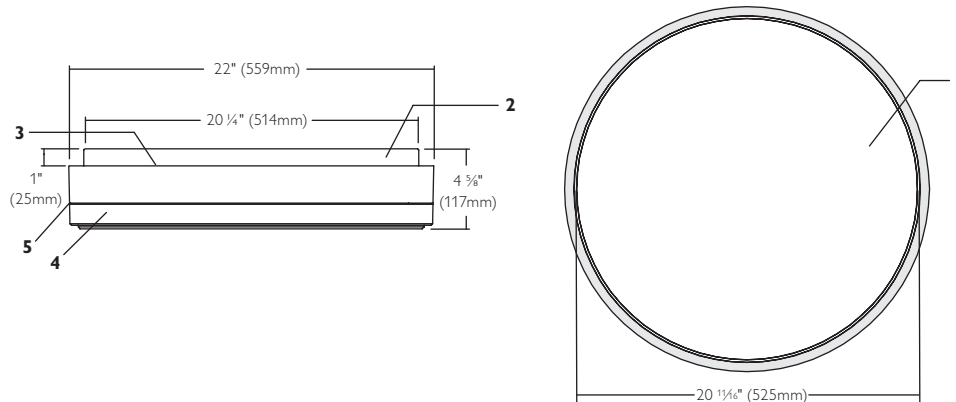
Job Information	Type:
Job Name:	
Cat. No.:	
Notes:	

**PHILIPS**  
**LIGHTOLIER**

# RR22AL

## Decorative, Optimo, 22" Round Reveal

Page 2 of 2



### Features

- 1. Diffuser:** Injection molded, impact and UV resistant polycarbonate
- 2. Backplate:** Stamped 20ga. (0.036") C.R.S., gloss white powder coat finish
- 3. Upper Housing:** Die-cast aluminum
- 4. Lower Housing:** Die-cast aluminum
- 5. Spill Light:** Acrylic 0.6mm thick
- 6. Back Light:** Acrylic 2mm thick

### Emergency

Bodine B4CFG emergency battery pack with test light and indicator switch, suitable for damp location.

### Mechanical

Diffuser elements securely fasten to backplate using twist-lock fasteners. Fixtures suitable for wall or ceiling mounting applications.

### Finish

Brushed and clear lacquered

### Accessories

Color Insert Kit, RACC22. Citrine, Garnet and Sapphire

### Labels

cULus listed, suitable for damp locations. ULus listed



Philips Lightolier  
e: lol.webmaster@philips.com  
t: (508) 679-8131  
w: www.lightolier.com

RR22AL.indd September 8, 2011

Specifications are subject to change without notice.  
© Koninklijke Philips Electronics N.V., 2011. All rights reserved.

<b>Job Information</b>	<b>Type:</b>
------------------------	--------------