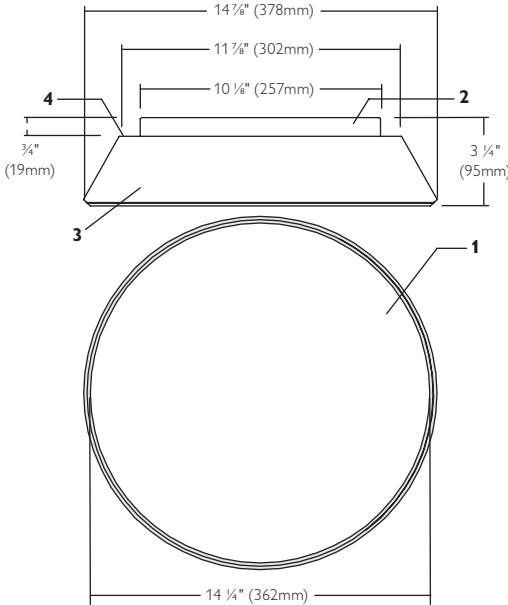


# RT12AL

## Decorative, Optimo, 12" Round Tapered



### Ordering Information

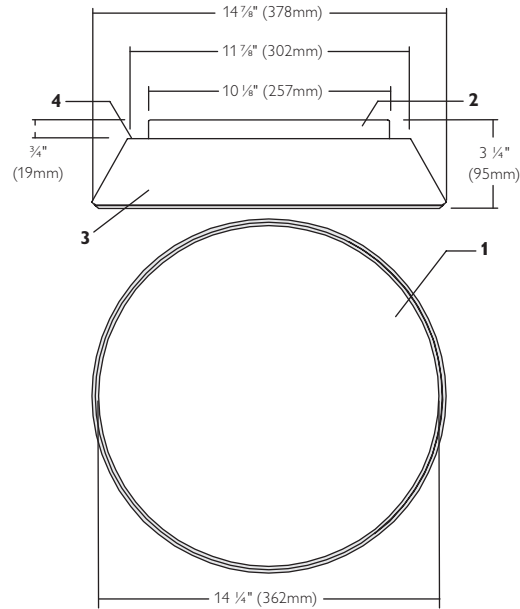
| Diffuser Catalog Number | Backplate | Wattage | Volts    | Lamping                    |
|-------------------------|-----------|---------|----------|----------------------------|
| RT12AL                  | R122U     | 22W     | 120-277V | (1) T5 Circular            |
|                         | R01L12    | 18W     | 120V     | (4) 3500K White LED Boards |

|                        |              |
|------------------------|--------------|
| <b>Job Information</b> | <b>Type:</b> |
| <b>Job Name:</b>       |              |
| <b>Cat. No.:</b>       |              |
| <b>Notes:</b>          |              |

# RT12AL

## Decorative, Optimo, 12" Round Tapered

Page 2 of 2



### Features

- 1. Diffuser:** Injection molded, impact and UV resistant polycarbonate
- 2. Backplate:** Stamped 20ga.(0.036") C.R.S., gloss white powder coat finish
- 3. Housing:** Die-cast aluminum
- 4. Back Light:** opal acrylic, 2mm thick

### Mechanical

Diffuser assembly fastens securely to backplate using internal twist-lock fasteners. Fixtures suitable for wall or ceiling mounting applications.

### Finish

Brushed and clear lacquered aluminium

### Accessories

Color Insert Kit RACC12. Citrine, Garnet and Sapphire

### Labels

cULus listed, suitable for damp locations. ULus listed.

\*ADA compliant.



Philips Lightolier  
e: lol.webmaster@philips.com  
t: (508) 679-8131  
w: www.lightolier.com

RT12AL.indd September 7, 2011

Specifications are subject to change without notice.  
© Koninklijke Philips Electronics N.V., 2011. All rights reserved.

Job Information Type: