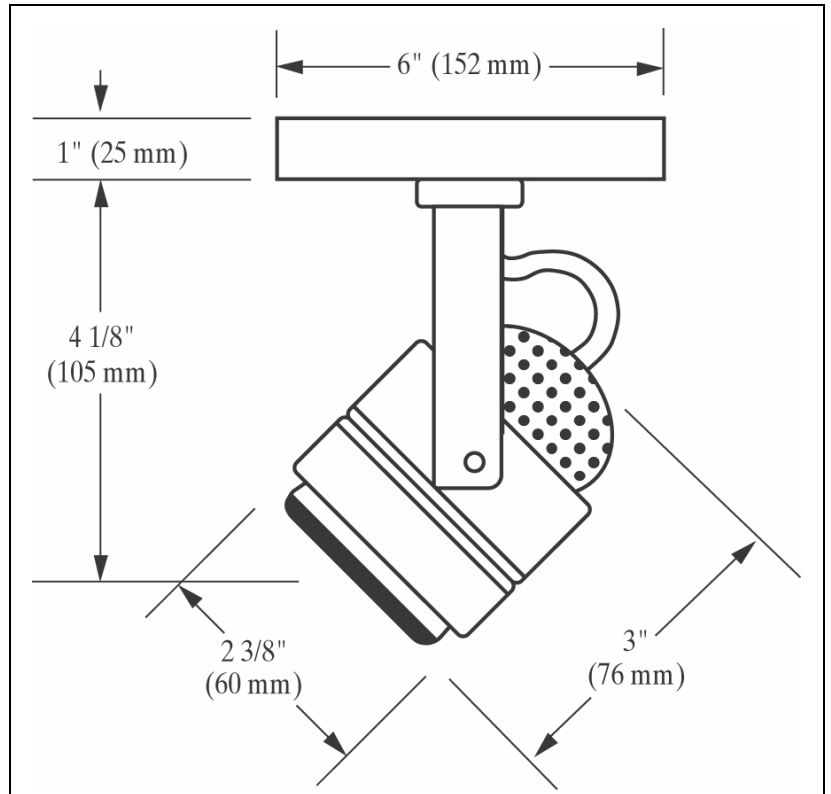




CSA C22.2 No. 141 Certified

SPECIFICATIONS:

- Housing constructed from 0.040" aluminum, yoke from 0.075" steel.
- Die-cast aluminum step baffle with stepped surface.
- Pivot mounting is tensioned with integral spring washer to 350° stop.
- Socket is two pin base with No.18 SEW-1 leads.
- Finished in Duraplex II™ White Electrostatic powder coat.
- Universal mounting plate is constructed of 18-gauge cold rolled steel.
- Universal mounting plate is for use with single or double head applications.
- Mounts easily to standard 4" x 4" J-box.
- Lamp sources are MR16 up to 50W maximum.



ORDERING GUIDE:

Example: **MLD112VN20W**

Series	# of Lamp Heads	DC Voltage	MR-16 Lamp Wattage & Beam Type ¹	Colour ²
MLD: Maxi-Lite Designer	1 : Single 2 : Double	12V : 12 Volt 24V : 24 Volt	M10 : 10W Medium W10 : 10W Wide N20 : 20W Narrow M20 : 20W Medium W20 : 20W Wide N35 : 35W Narrow M35 : Medium W35 : 35W Wide N42 : 42W Narrow M42 : 42W Medium W42 : 42W Wide N50 : 50W Narrow M50 : 50W Medium W50 : 50W Wide	W : White B : Black

¹ N = Narrow, M = Medium, W = Wide, 12 Volt (M10, W10, N20, M20, W20, N35, M35, W35, N42, M42, W42, N50, M50, W50); 24 Volt (W20, W35, W42, N50, W50)

² Consult factory for your special colour requirements.

PROJECT: _____

TYPE: _____ CATALOGUE NUMBER: _____