

CSA 22.2 No. 250.0 Certified  
C860 Compliant



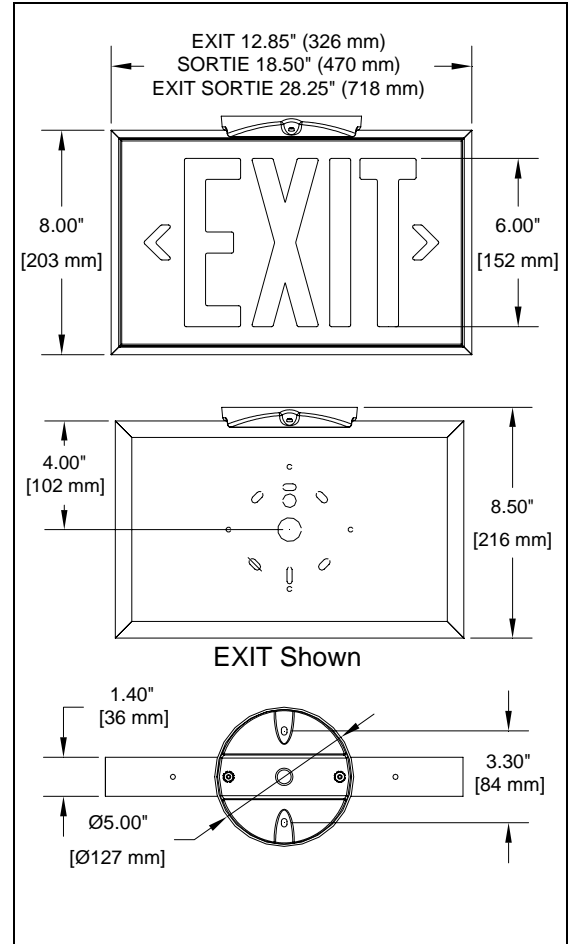
Complies with all NRCAN Exit Sign Energy Efficiency Requirements

### SPECIFICATIONS:

- Extruded one-piece aluminum housing construction. Standard finish is Duraplex II™ White Electrostatic Powder coat, optional colors and brushed anodized finish available.
- 16-gauge stamped aluminum faceplate is standard with universal knockouts for directional chevrons. Letters are 6" high with 3/4" stroke.
- Features universal mounting for easy back, end, and ceiling mount applications. Universal J-Box mounting knockout pattern provided on all signage.
- Low energy consumption LED's are Dual 120/347VAC with 6/12/24VDC. 277VAC available upon request.

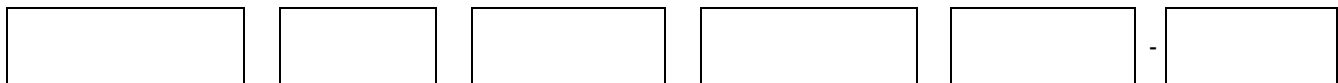
### ELECTRICAL RATING

Product	PRIMARY CIRCUIT			EMERGENCY CIRCUIT		
	AC Volts	Input Watts	Max. Amps	DC Volts	Input Watts	Max. Amps
EXIT	120	0.93	0.04	6	1.70	0.28
	347	1.02	0.04	12	1.42	0.12
				24	1.37	0.06
SORTIE	120	1.84	0.07	6	2.33	0.29
	347	2.00	0.07	12	1.68	0.14
				24	1.70	0.07



### ORDERING GUIDE:

Example: 2100U1W-D



Series	Mounting	Faces	Sign Finish	Options	Input Volts
2100 : 12.85" Exit 2100S : 18.5" Sortie 2100B : 28.5" Exit Sortie	U : Universal	1 : One face plate 2 : Two face plates U : Universal	W : White LB : Black SS : Silver SC : Special colour <sup>(1)</sup> BRA : Brushed Anodized BBRA : Black Housing Brushed Anodized Face MT : Metal Paint	H : Hi Brightness LED Bar	D : 120/347V 4 : 277V

<sup>1</sup> For other finishes, Consult factory for available colours and colour codes.

PROJECT: \_\_\_\_\_

TYPE: \_\_\_\_\_ CATALOGUE NUMBER: \_\_\_\_\_