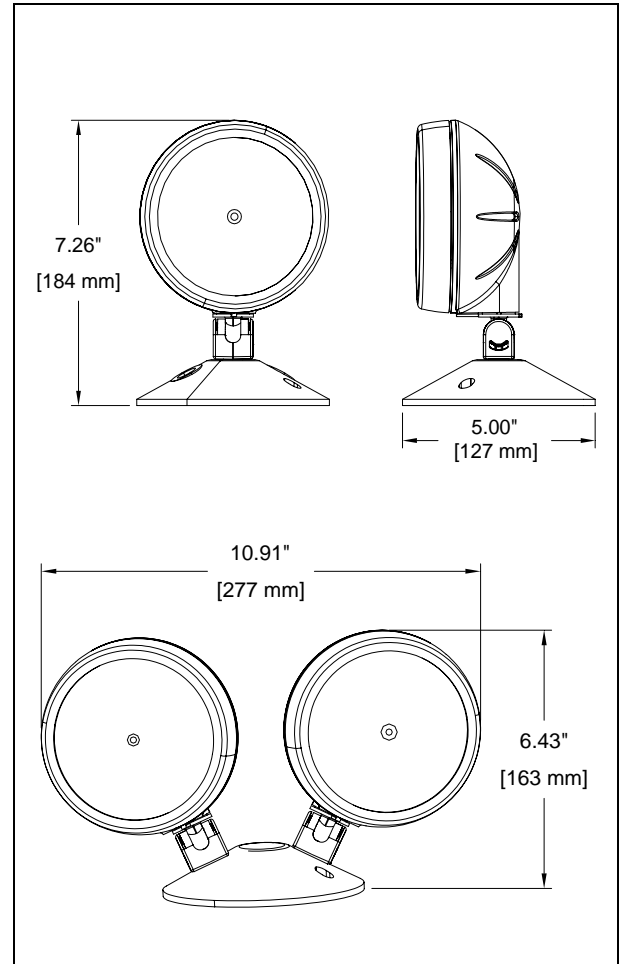




CSA Certified C22.2 No. 141

#### SPECIFICATIONS:

- 4 1/4" diameter lamp heads are fully adjustable without the use of a tool. Constructed of durable polycarbonate.
- Lamps easily replaced by removing twist off lens ring.
- Standard finish is White.
- Reflector is vacuum metalized for high optical performance.
- Universal mounting plate for use with single or double head applications mounts easily to standard 4"x4" junction box.
- Lamp sources are a Wedge base lamp for 9W and 18W Tungsten, Bi-Pin base for 8W, 12W or 20W Quartz Halogen, 50W Quartz sealed beam, or 55W and 70W H3 base halogen.



#### ORDERING GUIDE:

Example: **SR200112V9T**

--	--	--	--	--

Series	# of Lamp Heads	DC Voltage	Lamp Type and Wattage <sup>1</sup>	Colour <sup>2</sup>
SR200 : 2000 Series Standard Remote	1	6V : 6 Volt	9T : 9W Tungsten	Blank : White
	2	12V : 12 Volt 24V : 24 Volt	18T : 18W Tungsten 8Q : 8W Quartz 12Q : 12W Quartz 20Q : 20W Quartz 50Q : 50W Quartz Par36 55Q : 55W Quartz 70Q : 70W Quartz	BG : Beige LB : Black SC : Special Colour

<sup>1</sup> 6 Volt (9T, 8Q, 12Q, 20Q); 12 Volt (9T, 18T, 8Q, 12Q, 20Q, 50Q, 55Q); 24 Volt (9T, 18T, 20Q, 50Q, 70Q)

<sup>2</sup> Consult factory for available colours and colour codes.

PROJECT: \_\_\_\_\_

TYPE: \_\_\_\_\_ CATALOGUE NUMBER: \_\_\_\_\_