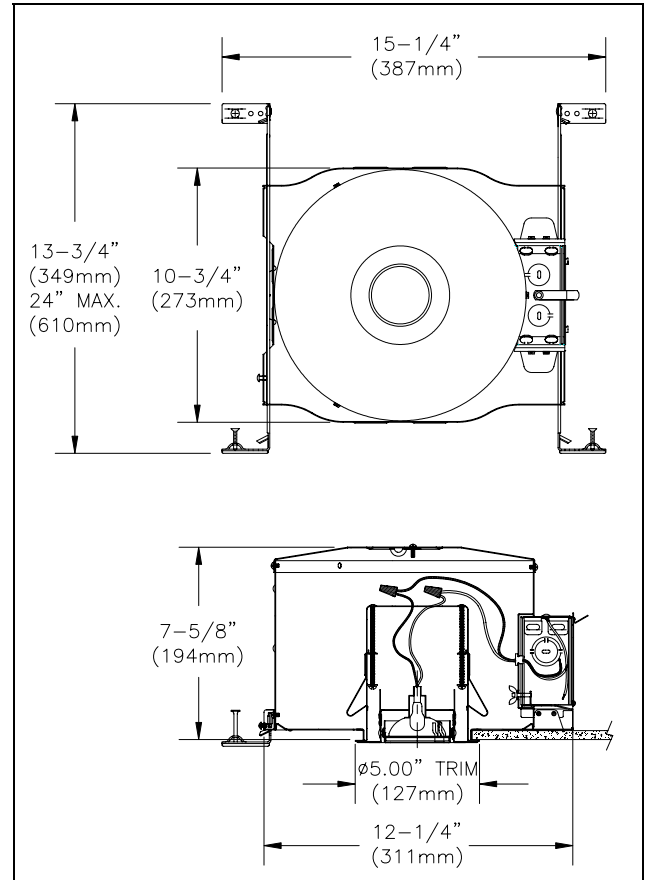




CSA Certified C22.2 No. 141

#### SPECIFICATIONS:

- 3 3/4" aperture, recessed adjustable remote.
- Face Plate Trim constructed from 22 gauge cold rolled steel, standard finish is Duraplex II™ White Electrostatic powder coat.
- Steel 27 gauge adjustable lampholder support positions lamp flush with ceiling and rotates 358° horizontally and 0° to 30° vertically.
- Spring steel mounting clips provide for Free-Hand lamp installation.
- Mounting is IC rated frame-in kit constructed from .032" thick aluminum with 16 gauge galvanized steel mounting bars that extend from 14" to 24". Pre-installed No. 6 auger point screws for installation in wood and steel joists. CSA certified for direct contact with thermal insulation. Integral junction box with snap off cover and pry-out knock-outs to accept BX cable or Loomex wires.
- Accommodates all ceilings up to 1" thick.
- Lamp sources are a wedge base lamp for 9W and 18W Tungsten and bi-pin base for 8W or 12W Quartz Halogen.



#### ORDERING GUIDE:

Example: **MRRIC12V18TSC**

Series	DC Voltage	Lamp Watts and Source <sup>1</sup>	Colour <sup>2</sup>
<b>MRRIC</b> : Mini Recessed Remote	<b>6V</b> : 6 Volt <b>12V</b> : 12 Volt <b>24V</b> : 24 Volt	<b>9T</b> : 9W Tungsten <b>18T</b> : 18W Tungsten <b>8Q</b> : 8W Quartz <b>12Q</b> : 12W Quartz	Blank : White SC : Special Colour

<sup>1</sup> 6 Volt (9T, 8Q, 12Q); 12 Volt (9T, 18T, 8Q, 12Q); 24 Volt (9T, 18T)

<sup>2</sup> Consult factory for your special colour requirements.

PROJECT: \_\_\_\_\_

TYPE: \_\_\_\_\_ CATALOGUE NUMBER: \_\_\_\_\_