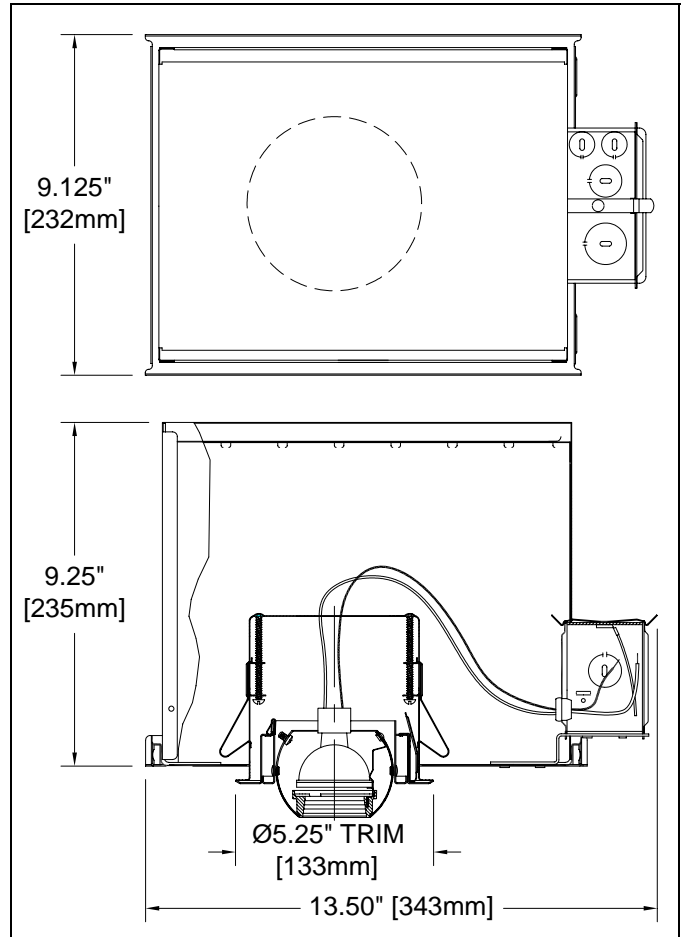




Certified C22.2 No. 141

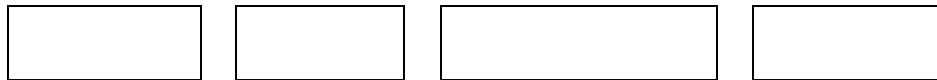
SPECIFICATIONS:

- 4 3/4" aperture, recessed adjustable eyeball.
- Face Plate Trim constructed from 22-gauge cold rolled steel, standard finish is White Electrostatic powder coat.
- Eyeball housing is die-formed, one piece steel; provides 358° horizontal rotation, and 0° to 45° vertical adjustment.
- Mounting clips provide for fast and easy snap-in/snap-out re-lamping.
- Step baffle constructed of die-cast aluminum with stepped conical surface for low brightness, black finish.
- Mounting is IC rated frame-in kit constructed from .018" thick galvanized steel with 13" heavy gauge mounting bars that extend to 27". CSA certified for direct contact with thermal insulation. Integral junction box with snap off cover and pry-out knock-outs to accept BX cable or Loomex wires. Accommodates all ceilings up to 1" thick.
- Lamp sources are MR16 up to 50W maximum.



ORDERING GUIDE:

Example: **MLREIC12VN20W**



Series	DC Voltage	MR-16 Lamp Wattage & Beam Type ¹	Colour ²
--------	------------	---	---------------------

MLREIC : Maxi-Lite Recessed Eyeball

12V : 12 Volt
24V : 24 Volt

M10: 10W Medium
W10: 10W Wide
N20 : 20W Narrow
M20 : 20W Medium
W20 : 20W Wide
N35 : 35W Narrow
M35 : 35W Medium
W35 : 35W Wide
N42 : 42W Narrow
M42 : 42W Medium
W42 : 42W Wide
N50 : 50W Narrow
M50 : 50W Medium
W50 : 50W Wide

W : White

¹ N = Narrow, M = Medium, W = Wide, 12 Volt (M10, W10, N20, M20, W20, N35, M35, W35, N42, M42, W42, N50, M50, W50); 24 Volt (W20, W35, W42, W50)

² Consult factory for your special colour requirements.

PROJECT: _____

TYPE: _____

CATALOGUE NUMBER: _____