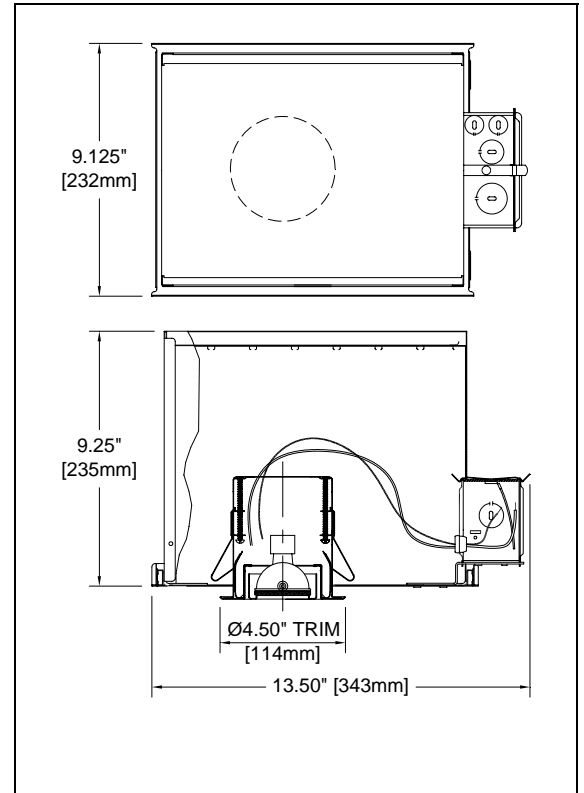




CSA Certified C22.2 No. 141

SPECIFICATIONS:

- 3 ¾" aperture, recessed adjustable remote.
- Face Plate Trim constructed from 22-gauge cold rolled steel, standard finish is Duraplex II™ White Electrostatic powder coat.
- 27-gauge steel adjustable lampholder support positions lamp flush with ceiling and rotates 358° horizontally, and 0° to 30° vertically.
- Spring clip design provides for fast and easy snap-in/snap-out rear re-lamping.
- Mounting is IC rated frame-in kit constructed from .018" thick galvanized steel with 13" heavy gauge mounting bars that extend to 27". CSA certified for direct contact with thermal insulation. Integral junction box with snap off cover and pry-out knock-outs to accept BX cable or Loomex wires. Accommodates all ceilings up to 1" thick.
- Lamp sources are MR16 up to 50W maximum.



ORDERING GUIDE:

Example: **MLRRIC12VN20W**

Series	DC Voltage	MR-16 Lamp Wattage & Beam Type ¹	Colour ²
MLRRIC: Maxi-Lite Recessed Round	12V : 12 Vol 24V : 24 Volt	M10:10W Medium W10:10W Wide N20 : 20W Narrow M20 : 20W Medium W20 : 20W Wide N35 : 35W Narrow M35 : 35W Medium W35 : 35W Wide N42 : 42W Narrow M42 : 42W Medium W42 : 42W Wide N50 : 50W Narrow M50 : 50W Medium W50 : 50W Wide	W : White B : Black BR : Brass

¹ N = Narrow, M = Medium, W = Wide, 12 Volt (M10, W10, N20, M20, W20, N35, M35, W35, N42, M42, W42, N50, M50, W50); 24 Volt (W20, W35, W42, W50)

² Consult factory for your special colour requirements.

PROJECT: _____

TYPE: _____ CATALOGUE NUMBER: _____