



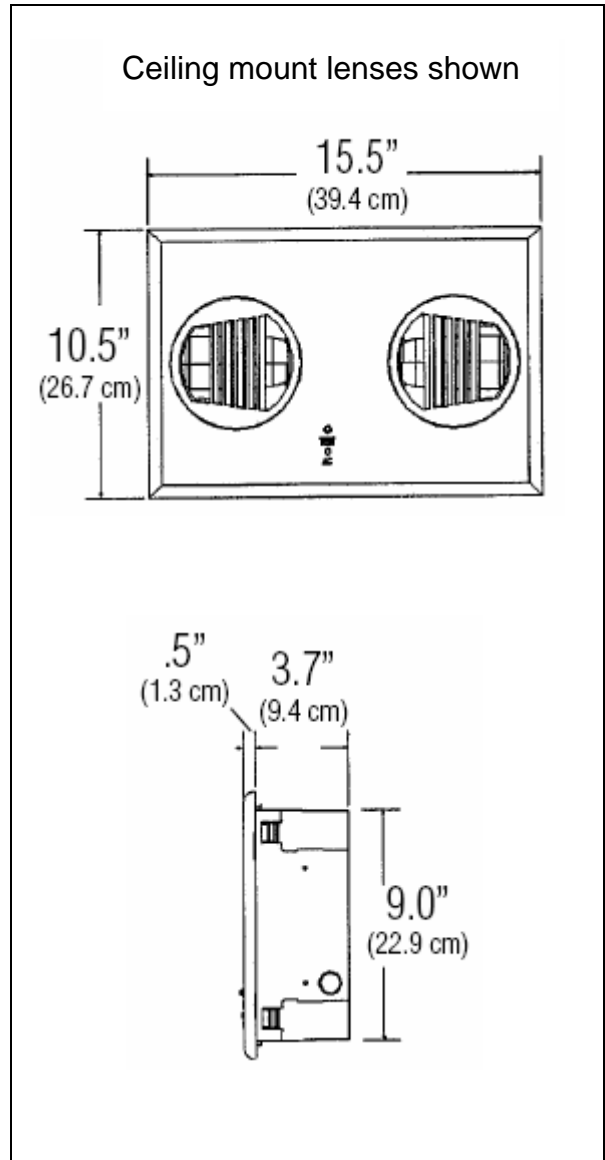
CSA C22.2 No. 141 Certified

SPECIFICATIONS:

INPUT/OUTPUT

12 Volt – 70 Watt

- **Back Box:** Constructed of 20 gauge galvanized steel.
- **Back Enclosure:** One piece construction, impact resistant Lexan, 3.2mm (1/8") thick min., Provided with three 22mm (7/8") knockouts, four slots, two on each side, for mounting purposes, and four tabs, two on each side, for securing the front plate. Standard finish is white.
- **Trim Plate:** One piece construction, impact resistant Lexan, 3.2mm (1/8") thick min. Secures to back enclosure by integral tabs. Provided with two 132mm (5-3/16") diameter holes for wall or ceiling mount lenses. Standard colour is white.
- The Lamp Heads offer a choice of either Ceiling or Wallmount lenses. One piece construction of vacuum metalized Lexan. Ceiling lenses are louvred for light distribution and glare control. Wall lenses are clear and textured. Provided with integral tabs for securing to the front plate. Two lenses of each type come standard with every unit.
- Two Lamps provided. Sealed 12V, 35W MR16 Quartz Halogen with integrated clear glass lens.
- The unit can be mounted recessed in a ceiling using bar hanger slots in the side of the housing or suspended by wires. The unit can also be recessed wall mounted by attaching to studs through holes provided in sides of enclosure (4 places).



ORDERING GUIDE:

Example: FUSW-12

Series	Housing Finish	Voltage
FUS : Fusion Battery Unit	W : White B : Black	12 : 12V DC Remote

PROJECT: _____

TYPE: _____ CATALOGUE NUMBER: _____