

Skyway **SKS2GPK232 or 332**

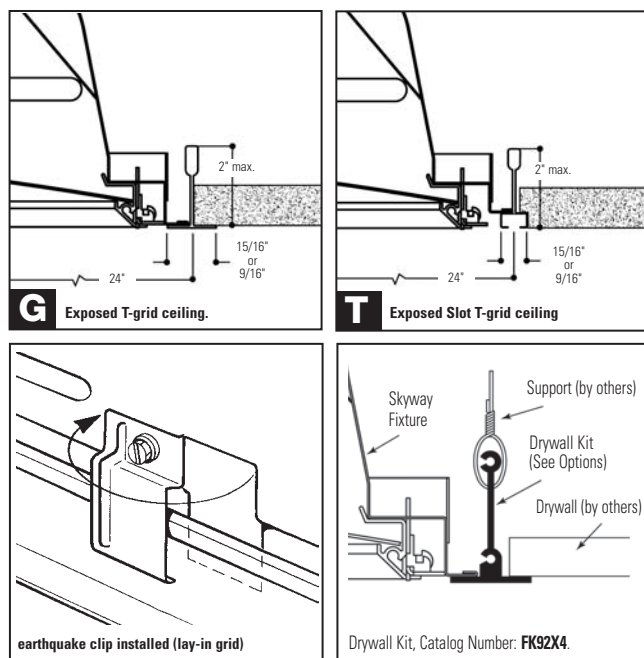
2' x 4' Recessed Fluorescent, Tri-Lens Frame Static or Air Supply/Return, 2 or 3 Lamp T8

Features

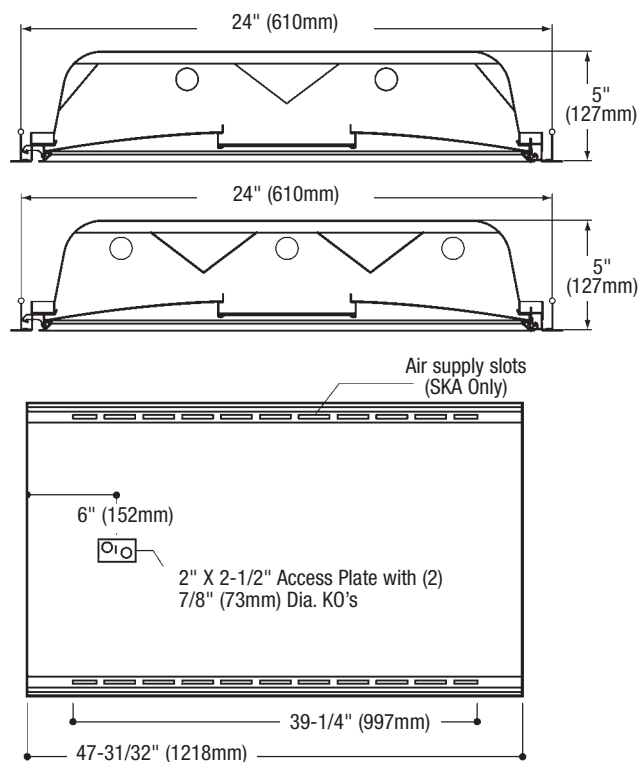
- Aesthetically pleasing triple lens design.
- Curved high light transmission frost white acrylic side lenses.
- Clear acrylic conical prismatic center lens.
- Internal reflector coated with 95% reflective white paint.
- 75.3% efficient 2 Lamp 32 watt T8.
- 75.4% efficient 3 Lamp 32 watt T8.
- 5" deep body.
- Black housing exterior for cooler ballast operating temperature.
- Eyeleted heat removal vents in fixture ends.
- Hemmed over side rails for maximum safety.
- Fixture ends turned-in for safe handling.
- Built-in earthquake clips.
- Door jamb finished black on four sides for positive light stop.
- True mitered corner aluminum lens frame.
- Spring loaded rooster head latches.
- 18 gauge steel hinges.
- Construction to meet NYC Code Requirements or Chicago Plenum is available.



Mounting Methods



Dimensions



Job Information Type:

Job Name:

Cat. No.:

Lamp(s):

Volts/Ballast:

Skyway SKS2GPK232 or 332

2' x 4' Recessed Fluorescent, Tri-Lens Frame Static or Air Supply/Return, 2 or 3 Lamp T8

Model No. SKS2GPK232UNVC5

LER = FP - 69.3 IW - 51.9 BF - 0.77
Comparative yearly lighting energy cost per 1000 lumens = \$3.46

Report Number: G2008169
Catalog Number: SKS2GPK232UNVC5
Lamps: (2) F32T8/ADV/841/ALTO
Luminaire: Skyway Recessed 2' x 4' fixture prismatic acrylic lens assembly.
Ballast: INC-2P32-LW-SC
Report is based on 3100 Lumens per lamp.
Efficiency: 75.3%
CIE Type-Direct-Indirect
Plane: 0-Deg 90-Deg
Spacing Criteria: 1.2 1.3
Shielding Angles: 90 90
Plane: 0-Deg 90-Deg
Luminous Length: 45.600 21.600

CANDELA DISTRIBUTION

	0.0	45.0	90.0	FLUX
0	1990	1990	1990	
5	1972	1975	1978	188
15	1875	1891	1913	535
25	1702	1765	1831	815
35	1464	1589	1647	979
45	1156	114	1063	867
55	732	714	643	630
65	406	401	354	400
75	205	185	170	207
85	48	35	31	46
90	0	0	0	

ZONAL LUMEN SUMMARY

ZONE	LUMENS	% LAMP	% FIXT
0- 30	1537	24.8	32.9
0- 40	2516	40.6	53.9
0- 60	4013	64.7	86.0
0- 90	4666	75.3	100.0
90-180	0	0.0	0.0
0-180	4666	75.3	100.0

LUMINANCE DATA IN CANDELA/SQ. METER

AVERAGE IN DEG.	AVERAGE 0-DEG.	AVERAGE 45-DEG.	AVERAGE 90-DEG.
45	2572.	2478.	2365.
55	2008.	1958.	1764.
65	1511.	1493.	1318.
75	1246.	1124.	1033.
85	866.	632.	560.

COEFFICIENTS OF UTILIZATION - ZONAL CAVITY METHOD. EFFECTIVE FLOOR CAVITY REFLECTANCE 0.20

RC	80	50	30
1	83	80	77
2	76	70	66
3	70	63	57
4	64	56	50
5	60	51	44
6	55	46	39
7	51	42	35
8	48	38	32
9	45	35	29
10	42	33	27

Model No. SKS2GPK332UNVH3

LER = FP - 70.9 IW - 87.0 BF - 0.88
Comparative yearly lighting energy cost per 1000 lumens = \$3.38

Report Number: G2008332
Catalog Number: SKS2GPK332UNVH3
Lamps: (3) F32T8/ADV/841/ALTO
Luminaire: Skyway Recessed 2' x 4' fixture prismatic acrylic lens assembly.
Ballast: ICN-3P32-SC
Report is based on 3100 Lumens per lamp.
Efficiency: 75.4%
CIE Type-Direct-Indirect
Plane: 0-Deg 90-Deg
Spacing Criteria: 1.2 1.3
Shielding Angles: 90 90
Plane: 0-Deg 90-Deg
Luminous Length: 45.600 21.600

CANDELA DISTRIBUTION

	0.0	45.0	90.0	FLUX
0	3104	3104	3104	
5	3082	3082	3092	293
15	2940	2945	2951	831
25	2672	2662	2625	1222
35	2284	2184	2158	1382
45	1710	1657	1665	1284
55	1052	1099	990	955
65	608	639	565	626
75	323	296	284	333
85	90	74	66	88
90	15	16	8	

COEFFICIENTS OF UTILIZATION - ZONAL CAVITY METHOD. EFFECTIVE FLOOR CAVITY REFLECTANCE 0.20

RC	80	50	30
1	83	80	77
2	76	70	66
3	70	63	57
4	64	56	50
5	60	50	44
6	55	46	39
7	51	42	35
8	48	38	32
9	45	35	29
10	42	33	27

ZONAL LUMEN SUMMARY


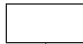
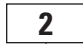



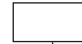
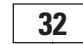
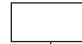
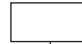

ZONE	LUMENS	% LAMP	% FIXT
0- 30	2346	25.2	33.5
0- 40	3728	40.1	53.2
0- 60	5967	64.2	85.1
0- 90	7014	75.4	100.0
90-180	0	0.0	0.0
0-180	7014	75.4	100.0

LUMINANCE DATA IN CANDELA/SQ. METER

AVERAGE IN DEG.	AVERAGE 0-DEG.	AVERAGE 45-DEG.	AVERAGE 90-DEG.
45	3804.	3686.	3704.
55	2885.	3014.	2715.
65	2263.	2379.	2103.
75	1963.	1895.	1726.
85	1624.	1336.	1191.

Ordering Information

Explanation of Catalog Number. Example: SKS2GPK232UNVH3

										
---	---	---	---	---	---	---	--	---	---	---

SK	Standard Skyway
SY	For NYC Code - I.B.E.W. Manufactured

Options/Accessories

Fusing: Internal fast blow fusing: SUFFIX: **A**.
Internal slow blow fusing: SUFFIX: **C**.
Drywall Kit: Order Catalog Number: **FK92X4**.
Electrical Wiring Options: Consult factory.
For motion or light sensor: See Folio OA20-10 and OA20-30.

Specifications

Performance: In an installation of 2 lamp 32W luminaires in a room cavity ratio of 1, with reflectance 80% ceiling, 50% wall, 20% floor, the C.U. shall not be less than .80. To reduce glare the average brightness at 65° shall not exceed 1511 candelas per square meter. To control veiling reflections, luminaire output in the 30°-90° zone shall not be less than 67.1%.

Air Handling: (SKA only) side air passages for air supply or air return. Supply air is discharged vertically. Optional side closure strips. Air return is also provided through the lamp compartment through fixture body ends.

Materials: Chassis parts are die-formed code gauge cold rolled steel. Housing has side rails hemmed over and housing ends turned-in for safe handling.

Specifications (continued)

Finish: Chassis exterior-black baked polyester enamel. **Cavity**-white baked polyester enamel minimum 86% reflectance. Rust preventative undercoating. **Reflectors**-95% reflective white powder coated.
Lens: Proprietary high quality frost white acrylic and clear conical prism lens assembly.
Electrical: Thermally protected class "P" ballast C.B.M. approved, non PCB. If K.O. is within 3" of ballast, use wire suitable for at least 90°.
UL Listed for damp locations.
Labels: I.B.E.W./UL and ULc Listed.
This product may have a mercury containing lamp. Manage in accord with Disposal Laws. See: www.lamprecycle.org

Job Information Type: