

Skyway SKS2GPK2FT

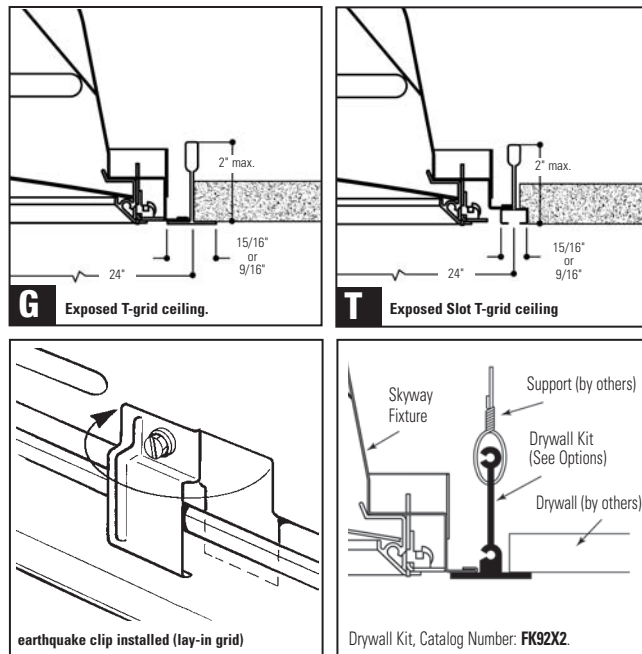
2' x 2' Recessed Fluorescent, Tri-Lens Frame Static or Air Supply/Return, 2 Lamp Twin Tube T5

Features

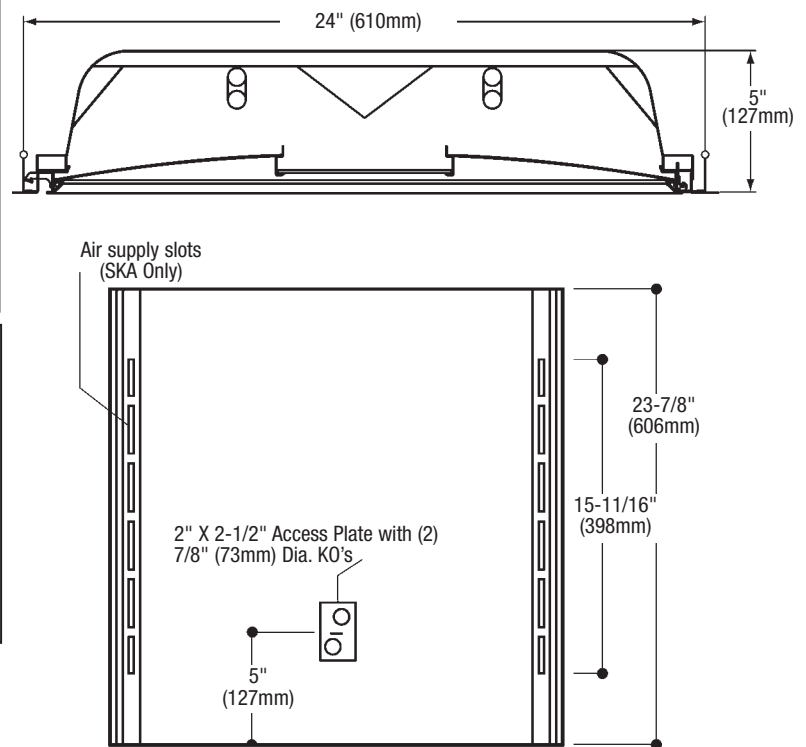
- Aesthetically pleasing triple lens design.
- Curved high light transmission frost white acrylic side lenses.
- Clear acrylic conical prismatic center lens.
- Internal reflector coated with 95% reflective white paint.
- 76.5% efficient (2 Lamp 40 watt TT5)
- 5" deep body.
- Black housing exterior for cooler ballast operating temperature.
- Eyeleted heat removal vents in fixture ends.
- Hemmed over side rails for maximum safety.
- Fixture ends turned-in for safe handling.
- Built-in earthquake clips.
- Door jamb finished black on four sides for positive light stop.
- True mitered corner aluminum lens frame.
- Spring loaded rooster head latches.
- 18 gauge steel hinges.
- Construction to meet NYC Code Requirements or Chicago Plenum is available.



Mounting Methods



Dimensions



Job Information Type:

Job Name:

Cat. No.:

Lamp(s):

Volts/Ballast:

2' x 2' Recessed Fluorescent, Tri-Lens Frame Static or Air Supply/Return, 2 Lamp Twin Tube T5

Model No. SKS2GPK2FTUNVIB (40 watt lamp)

LER = FP - 64.3 IW - 69.1 BF - 0.88
Comparative yearly lighting energy cost per
1000 lumens = \$3.73

Report Number: G2008206
Catalog Number: SKS2GPK2FTUNVIB
Lamps: (2) PL-L40/835/RS/IS
Luminaire: Skyway Recessed 2' x 2' fixture
prismatic acrylic lens assembly.
Ballast: ICN-2TTP40-SC
Report is based on 3300 Lumens per lamp.
Efficiency: 76.5%
CIE Type-Direct-Indirect
Plane: 0-Deg 90-Deg
Spacing Criteria: 1.2 1.4
Shielding Angles: 90 90
Plane: 0-Deg 90-Deg
Luminous Length: 21.600 21.600

CANDELA DISTRIBUTION

	0.0	45.0	90.0	FLUX
0	2055	2055	2055	
5	2040	2040	2043	194
15	1937	1957	1986	554
25	1747	1826	1932	846
35	1482	1672	1859	1041
45	1131	1248	1276	956
55	736	808	772	703
65	420	459	435	454
75	218	222	207	240
85	48	66	40	65
90	0	0	0	

COEFFICIENTS OF UTILIZATION – ZONAL CAVITY METHOD, EFFECTIVE FLOOR CAVITY REFLECTANCE 0.20

RC	80	50	30	10	50	30	10
RW 70	80	50	30	10	50	30	10
1	84	81	78	76	74	72	71
2	77	71	66	67	63	60	65
3	71	63	57	60	55	51	58
4	65	56	50	54	48	44	52
5	60	51	44	48	43	39	47
6	56	46	39	44	38	34	43
7	52	42	35	40	35	31	39
8	48	38	32	37	31	27	36
9	45	35	29	34	29	25	33
10	42	33	27	31	26	23	31

ZONAL LUMEN SUMMARY

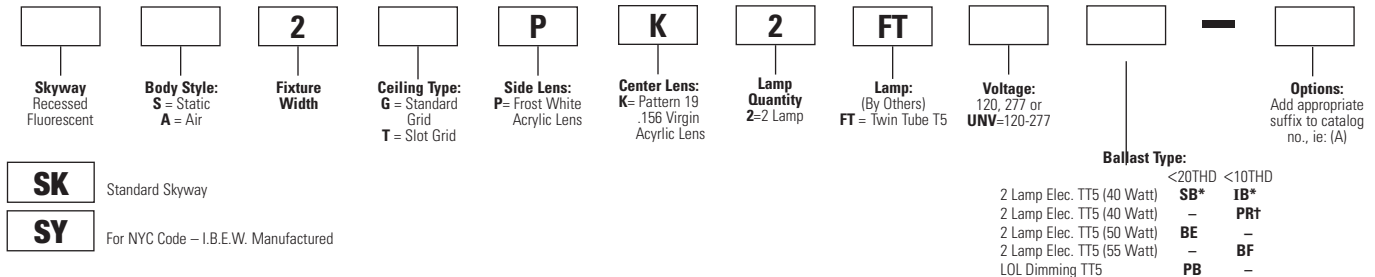
ZONE	LUMENS	% LAMP	% FIXT
0- 30	1593	24.1	31.5
0- 40	2635	39.9	52.2
0- 60	4294	65.1	85.0
0- 90	5052	76.5	100.0
90-180	0	0.0	0.0
0-180	5052	76.5	100.0

LUMINANCE DATA IN CANDELA/SQ. METER

AVERAGE IN DEG.	AVERAGE 0-DEG.	AVERAGE 45-DEG.	AVERAGE 90-DEG.
45	5312.	5861.	5993.
55	4261.	4678.	4470.
65	3300.	3607.	3418.
75	2797.	2849.	2656.
85	1829.	2515.	1524.

Ordering Information

Explanation of Catalog Number. Example: SKS2GPK2FTUNVIB



Options/Accessories

Fusing: Internal fast blow fusing: SUFFIX: **A**.
Internal slow blow fusing: SUFFIX: **C**.
Drywall Kit: Order Catalog Number: **FK92X2**.
Electrical Wiring Options: Consult factory.
For motion or light sensor: See Folio OA20-10 and OA20-30.

Specifications

Performance: In an installation of 2 lamp 40W luminaires in a room cavity ratio of 1, with reflectance 80% ceiling, 50% wall, 20% floor, the C.U. shall not be less than .81. To reduce glare the average brightness at 65° shall not exceed 3418 candelas per square meter. To control veiling reflections, luminaire output in the 30°-90° zone shall not be less than 68.5%.

Air Handling: (SKA only) side air passages for air supply or air return. Supply air is discharged vertically. Optional side closure strips. Air return is also provided through the lamp compartment through fixture body ends.

Materials: Chassis parts are die-formed code gauge cold rolled steel. Housing has side rails hemmed over and housing ends turned-in for safe handling.

Specifications (continued)

Finish: Chassis exterior—black baked polyester enamel. **Cavity**—white baked polyester enamel minimum 86% reflectance. Rust preventative undercoating. **Reflectors**- 95% reflective white powder coated.

Lens: Proprietary high quality frost white acrylic and clear conical prism lens assembly.

Electrical: Thermally protected class "P" ballast C.B.M. approved, non PCB. If K.O. is within 3" of ballast, use wire suitable for at least 90°.

Labels: UL Listed for damp locations. I.B.E.W./UL and ULc Listed.
This product may have a mercury containing lamp. Manage in accord with Disposal Laws. See: www.lamprecycle.org

Job Information Type: