

Ordering Information

Family	Lamps	Length	Type	Mounting	Shielding	Voltage	Options
SQ6	1		AD	W			
	1 = 1-Light	4 = 4-Foot 8 = 8-Foot	AD = Asymmetrical Direct	W = Wall	S = Straight Blade Louver C = Paracube 1/2" L = Lens K19 N = None P = Parabolic Louver	1 = 120v 2 = 277v 3 = 347v D1 = Dimming 120v D2 = Dimming 277v E1 = Emergency 120v E2 = Emergency 277v	X4 = 4th Wire X5 = 5th Wire Blank = No Opt. DS = Dual Switch

Complete ordering instruction below.

Features

- Housing:** 20 gauge pre-painted die formed steel. Weldless, die-cast bulkheads allowing casting to casting luminaire connection. ABS Cast plastic end caps, painted white to match housing, fastenerless attachment.
- Lamp:** One F32T8 fluorescent lamp per 4-foot section. Provided by others.
- Reflector:** Precision die-formed high reflectance white pre-painted steel.
- Straight Blade Louver:** Lift and shift, constructed from die-formed aluminum and finished to match the housing. Louver blades are 1" (2.54cm) high on 1-1/8" (2.86cm) centers.
- Lens:** Extruded 100% acrylic clear prismatic lens.
- Paracube Louver:** Lift and shift, injection molded metalized louver with 1/2" (1.27cm) x 1/2" (1.27cm) cubes.
- Parabolic Louver:** Lift and shift, constructed of die-formed semi-specular aluminum. Louver blades are 1" (2.54cm) high on 1-1/2" (3.81cm) centers.

Electrical

Electronic Ballast: 3 conductor, 18 gauge wire. Color-coded quick connectors allow easy connection for modular fixtures. Power feed is 18 gauge white cord. Factory installed ballast disconnect allows the ballast to be disconnected from and reconnected to incoming power under load without turning the entire circuit off.

Dimming: Advance Mark X, use Advance compatible two-wire control (no extra lead required).

Emergency Battery Pack: 450 Lumens @ 90min.

Options and Accessories

Dual Switching: Order the DS option for separate row switching. DS option comes complete with the 4th through wire option.

4 and 5 wire: Order X4 for EM battery. For non-standard dimming options, order X5 option for Advance Mark VII, DALI and ESI. Order X4 for Lutron Hi-Lume and ECO-10. Consult factory for any additional wiring conditions.

Mounting

Wall Mounting: Precision die-formed steel bracket system that hooks and locks onto the wall, painted white.

Finish

Pre-painted textured white finish. Shipped with plastic adhesive film protector.

Ordering Instructions

Individual Fixtures:

- Order number of Modules required.
- Order one End Set Wall or Surface per Module.

Continuous Runs:

- Determine run length.
- Order the appropriate number of Modules for the complete run.
- Order one End Set Wall or Surface per run.

Labels

UL, cUL and I.B.E.W.

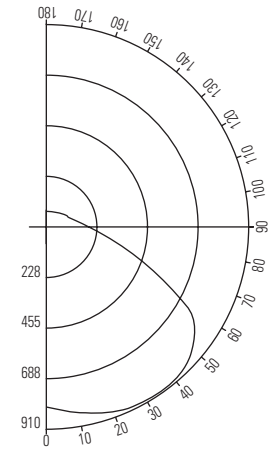
Job Information Type:

Job Name:

Cat. No.:

Notes:

Performance & Quick Calculators



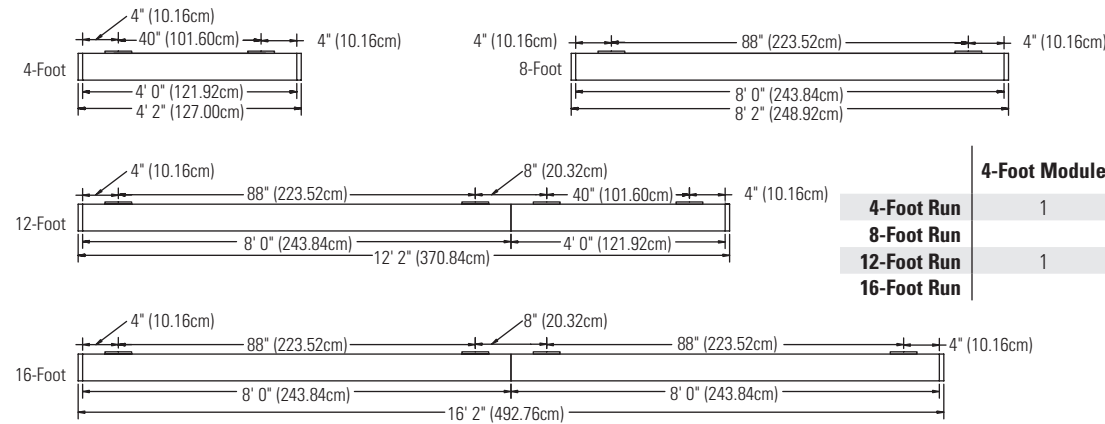
Report No.: ITL53178
Catalog No.: SQ614ADWS1
Lamps: 1-F32T8
Lumens: 2950
Efficiency: 77.8%

ZONE DEG.	CANDLEPOWER				
	0	22	45	67	90
180	0	0	0	0	0
175	0	0	0	0	0
165	0	0	0	0	0
155	0	0	0	0	0
145	0	0	0	0	0
135	0	0	0	0	0
125	0	0	0	0	0
115	0	0	0	0	0
105	0	0	0	0	0
95	0	0	0	0	0
90	0	2	0	2	0
85	32	35	21	33	32
75	95	149	152	108	109
65	361	509	302	122	151
55	751	703	447	149	155
45	868	785	569	239	181
35	906	835	673	391	277
25	911	863	753	560	452
15	891	866	807	721	653
5	854	853	835	817	799
0	835	835	835	835	835

ROOM CAVITY RATIO	COEFFICIENTS OF UTILIZATION								
	% EFFECTIVE CEILING CAVITY REFLECTANCE								
	80			70			50		
	% WALL REFLECTANCE								
	50			30			10		
0	93	93	93	91	91	91	87	87	87
1	81	78	75	80	77	74	76	74	71
2	71	66	61	69	65	60	67	63	59
3	62	56	51	61	55	50	59	54	49
4	55	48	43	54	48	43	52	46	42
5	49	42	37	48	42	37	47	41	36
6	44	37	32	44	37	32	42	36	32
7	40	33	28	39	33	28	38	32	28
8	37	30	25	36	30	25	35	29	25
9	34	27	23	33	27	23	32	27	23
10	31	25	21	31	25	21	30	24	21

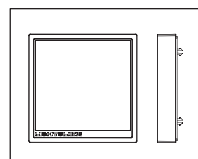
ZONAL LUMEN SUMMARY			
ZONE	LUMENS	% BARELAMP	% LUMINAIRE
0-90	2296	77.8	100.0
90-180	0	0.0	0.0
0-180	2296	77.8	100.0

Fixture Lengths & Mounting Locations



	4-Foot Module	8-Foot Module	End Set
4-Foot Run	1		1
8-Foot Run		1	1
12-Foot Run	1	1	1
16-Foot Run		2	1

Mounting Accessories



End Set Wall:
SQ6E

Job Information Type:



© 2013 Koninklijke Philips Electronics N.V. All rights reserved.
 Specifications are subject to change without notice.

SQ6-10 03/13

Philips Lighting Company
 200 Franklin Square Drive
 Somerset, NJ 08873
 Phone: 855-486-2216

www.philips.com/luminaires

Philips Lighting Company
 281 Hillmount Road
 Markham ON, Canada L6C 2S3
 Phone: 905-201-4100

www.philips.com/luminaires