

### Ordering Information

Family	Lamps	Length	Type	Mounting	Shielding	Voltage	Options
<b>SQ6</b>	<b>1</b>		<b>AI</b>	<b>W</b>	<b>N</b>		
	1 = 1-Light	4 = 4-Foot 8 = 8-Foot	<b>AI</b> = Asymmetrical Indirect	<b>W</b> = Wall	<b>N</b> = None	1 = 120v 2 = 277v 3 = 347v D1 = Dimming 120v D2 = Dimming 277v E1 = Emergency 120v E2 = Emergency 277v	<b>X4</b> = 4th Wire <b>X5</b> = 5th Wire <b>Blank</b> = No Opt. <b>DS</b> = Dual Switch

Complete ordering instruction below.

### Features

- Housing:** 20 gauge pre-painted die formed steel. Weldless, die-cast bulkheads allowing casting to casting luminaire connection. ABS Cast plastic end caps, painted white to match housing, fastenerless attachment.
- Lamp:** Two F32T8 fluorescent lamps per 4-foot section. Provided by others.
- Reflector:** Precision die-formed high reflectance white pre-painted steel.

### Electrical

**Electronic Ballast:** 3 conductor, 18 gauge wire. Color-coded quick connectors allow easy connection for modular fixtures. Power feed is 18 gauge white cord. Factory installed ballast disconnect allows the ballast to be disconnected from and reconnected to incoming power under load without turning the entire circuit off.

**Dimming:** Advance Mark X, use Advance compatible two-wire control (no extra lead required).

**Emergency Battery Pack:** 450 Lumens @ 90min.

### Options and Accessories

**Dual Switching:** Order the DS option for separate row switching. DS option comes complete with the 4th through wire option.

**4 and 5 wire:** Order X4 for EM battery. For non-standard dimming options, order X5 option for Advance Mark VII, DALI and ESI. Order X4 for Lutron Hi-Lume and ECO-10. Consult factory for any additional wiring conditions.

### Mounting

**Wall Mounting:** Precision die-formed steel bracket system that hooks and locks onto the wall, painted white.

### Finish

Pre-painted textured white finish. Shipped with plastic adhesive film protector.

### Ordering Instructions

#### Individual Fixtures:

- Order number of Modules required.
- Order one End Set Wall or Surface per Module.

#### Continuous Runs:

- Determine run length.
- Order the appropriate number of Modules for the complete run.
- Order one End Set Wall or Surface per run.

### Labels

UL, cUL and I.B.E.W.

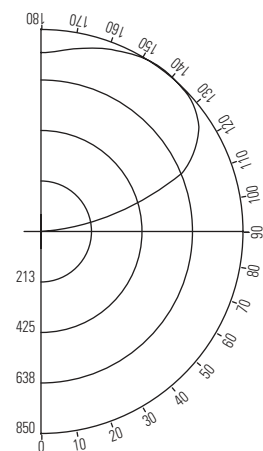
### Job Information Type:

Job Name:

Cat. No.:

Notes:

## Performance & Quick Calculators



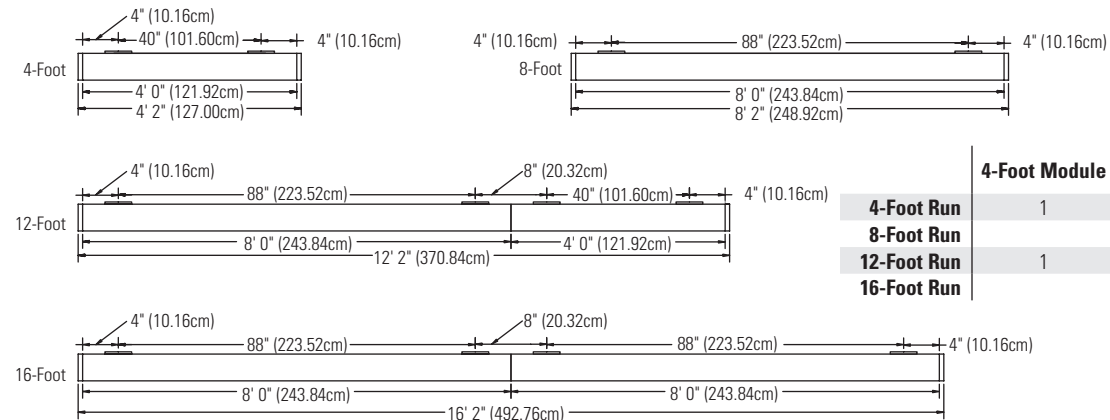
**Report No.:** ITL53176  
**Catalog No.:** SQ614AIWNS1  
**Lamps:** 1-F32T8  
**Lumens:** 2950  
**Efficiency:** 89.9%

ZONE DEG.	CANDLEPOWER				
	0	22	45	67	90
180	753	753	753	753	753
175	762	762	761	760	756
165	799	792	773	750	731
155	832	817	776	724	685
145	854	832	766	677	612
135	846	820	742	618	520
125	808	784	692	546	407
115	688	672	610	466	278
105	371	386	406	364	147
95	52	60	70	97	28
90	0	0	0	0	0
85	0	0	0	0	0
75	0	0	0	0	0
65	0	0	0	0	0
55	0	0	0	0	0
45	0	0	0	0	0
35	0	0	0	0	0
25	0	0	0	0	0
15	0	0	0	0	0
5	0	0	0	0	0
0	0	0	0	0	0

ROOM CAVITY RATIO	COEFFICIENTS OF UTILIZATION								
	% EFFECTIVE CEILING CAVITY REFLECTANCE								
	80			70			50		
	% WALL REFLECTANCE								
	50			30			10		
0	86	86	86	73	73	73	50	50	50
1	78	74	71	66	64	61	43	42	41
2	71	65	60	60	56	51	38	36	34
3	65	57	51	55	49	44	33	30	28
4	59	50	44	50	43	38	30	26	24
5	54	44	38	46	38	33	26	23	20
6	49	39	33	42	34	28	23	20	17
7	45	35	29	38	30	25	21	17	15
8	42	32	25	36	27	22	19	15	13
9	39	29	22	33	25	19	17	14	11
10	36	26	20	31	22	17	15	12	10

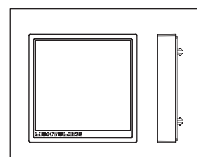
ZONAL LUMEN SUMMARY			
ZONE	LUMENS	% BARELAMP	% LUMINAIRE
0-90	0	0	0
90-180	2652	89.9	100
0-180	2652	89.9	100

## Fixture Lengths & Mounting Locations



	4-Foot Module	8-Foot Module	End Set
<b>4-Foot Run</b>	1		1
<b>8-Foot Run</b>		1	1
<b>12-Foot Run</b>	1	1	1
<b>16-Foot Run</b>		2	1

## Mounting Accessories



**End Set Wall:**  
SQ6E

**Job Information Type:**



© 2013 Koninklijke Philips Electronics N.V. All rights reserved.  
 Specifications are subject to change without notice.

SQ6-8 03/13

Philips Lighting Company  
 200 Franklin Square Drive  
 Somerset, NJ 08873  
 Phone: 855-486-2216

[www.philips.com/luminaires](http://www.philips.com/luminaires)

Philips Lighting Company  
 281 Hillmount Road  
 Markham ON, Canada L6C 2S3  
 Phone: 905-201-4100

[www.philips.com/luminaires](http://www.philips.com/luminaires)