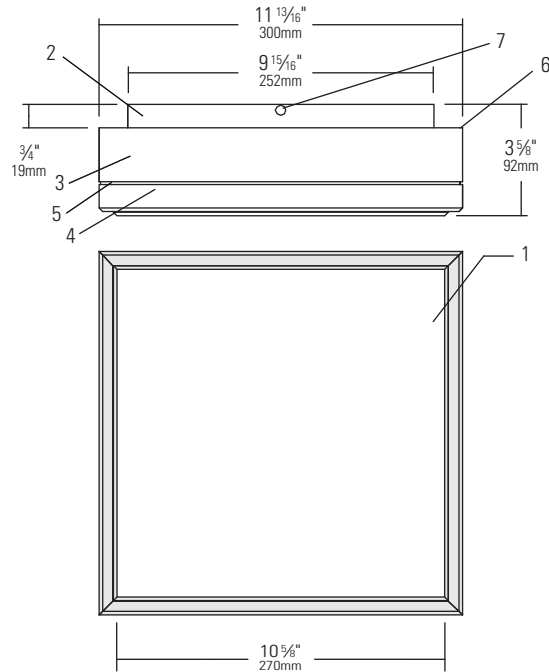


SR12AL

Architectural Decorative, Optimo 12" Square Reveal

Page 1 of 2



Fixture Ordering Information

| Diffuser Catalog No. | Backplate | Wattage | Volts | Lamp |
|----------------------|-----------|---------|-----------|----------------------------|
| SR12AL | S122U | 22W | 120V/277V | (1) T5 Circular |
| | S01L12 | 20W | 120V | (4) 3500K White LED Boards |

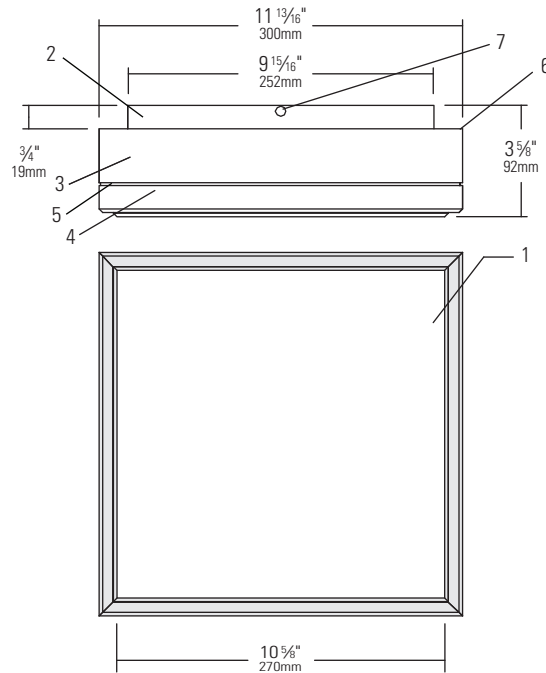
| Job Information | Type: |
|-----------------|-------|
| Job Name: | |
| Cat. No.: | |
| Notes: | |

PHILIPS
LIGHTOLIER

SR12AL

Architectural Decorative, Optimo 12" Square Reveal

Page 2 of 2



Features

- 1. Diffuser:** Injection molded, impact and UV resistant polycarbonate
- 2. Backplate:** Stamped 20ga.(0.036") C.R.S., gloss white powder coat finish
- 3. Upper Housing:** Extruded aluminum
- 4. Lower Housing:** Extruded aluminum
- 5. Spill Light:** Acrylic 0.6mm thick
- 6. Back Light:** Opal Acrylic, 2mm thick
- 7. Fastener Screw:** #8-32 flat Philips head

Mechanical

Diffuser assembly fastens securely to backplate using springcup and countersunk screw. Fixtures suitable for wall or ceiling mounting applications.

Finish

Brushed and clear lacquered aluminium

Accessories

Color Insert Kit SACC12. Citrine, Garnet and Sapphire

Labels

cULus listed, suitable for damp locations. ULus listed.

*ADA compliant.



Philips Lightolier
e: lol.webmaster@philips.com
t: (508) 679-8131
w: www.lightolier.com

SR12AL September 8, 2011

Specifications are subject to change without notice.
© Koninklijke Philips Electronics N.V., 2011. All rights reserved.

| | |
|------------------------|--------------|
| Job Information | Type: |
|------------------------|--------------|