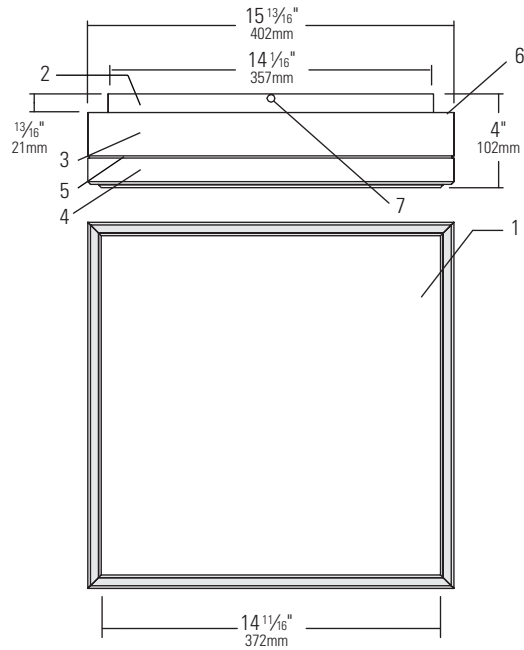


# SR16AL

## Architectural Decorative, Optimo 16" Square Reveal

Page 1 of 2



### Ordering Information

Diffuser Catalog Number	Backplate	Volts	Wattage	Lamping
SR16AL	S2240U	120-277V	22W and 40W	(2) T5 Circular
	S16140U	120-277V	40W	(1) T5 Circular
	S01L16	120V	45W	(9) 3500K White LED Boards
SR16ALEM	S16140UE	120-277V	40W	(1) T5 Circular

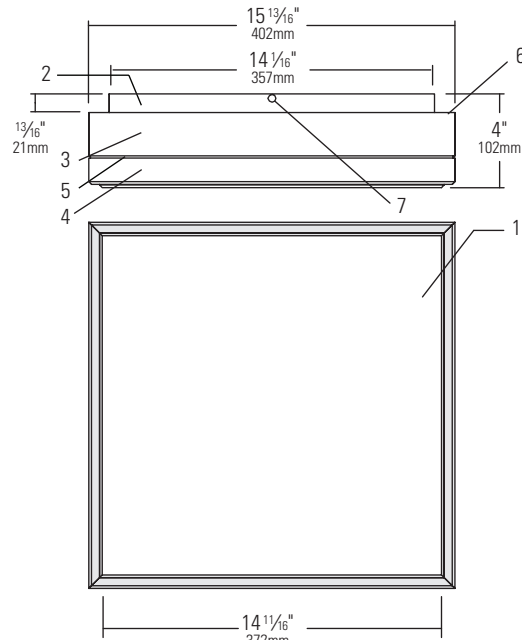
Job Information	Type:
Job Name:	
Cat. No.:	
Notes:	

**PHILIPS**  
**LIGHTOLIER**

# SR16AL

## Architectural Decorative, Optimo 16" Square Reveal

Page 2 of 2



### Features

- 1. Diffuser:** Injection molded, impact and UV resistant polycarbonate
- 2. Backplate:** Stamped 20ga. (0.036") C.R.S., gloss white powder coat finish
- 3. Upper Housing:** Extruded aluminum
- 4. Lower Housing:** Extruded aluminum
- 5. Spill Light:** Acrylic 0.6mm thick
- 6. Back Light:** Acrylic 2mm thick
- 7. Fastener Screw:** #8-32 flat Phillips head

### Emergency

Bodine B4CFG emergency battery pack with test light and indicator switch, suitable for damp location.

### Mechanical

Diffuser assembly securely fastens to backplate using countersunk screw. Fixtures suitable for wall or ceiling mounting applications.

### Finish

Brushed and clear lacquered

### Accessories

Color Insert Kit, SACC16. Citrine, Garnet and Sapphire

### Labels

cULus listed, suitable for damp locations. ULus listed

\* ADA compliant.



Philips Lightolier  
e: [lol.webmaster@philips.com](mailto:lol.webmaster@philips.com)  
t: (508) 679-8131  
w: [www.lightolier.com](http://www.lightolier.com)

SR16AL September 8, 2011

Specifications are subject to change without notice.  
© Koninklijke Philips Electronics N.V., 2011. All rights reserved.

<b>Job Information</b>	<b>Type:</b>
------------------------	--------------