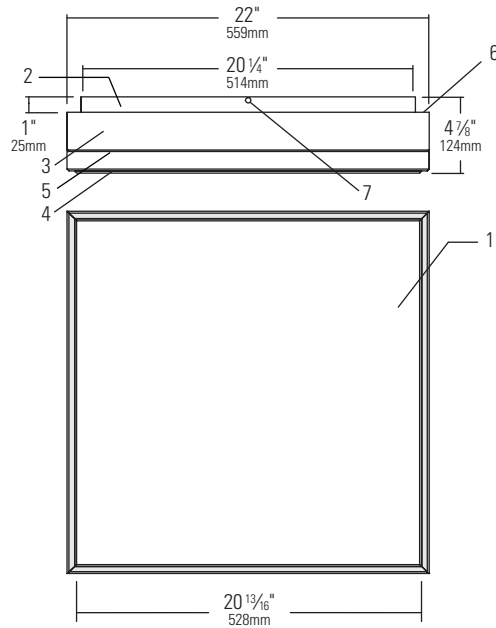


SR22AL

Architectural Decorative, Optimo 22" Square Reveal

Page 1 of 2



Ordering Information

Diffuser Catalog Number	Backplate	Volts	Wattage	Lamping
SR22AL	S336U	120-277V	36W x 3	(3) Twin Tube
	S22324U	120-277V	24W x 3	(3) Twin Tube
	S01L22	120V	74W	(16) 3500K White LED Boards
SR22ALEM	S22324UE	120-277V	24W x 3	(3)Twin Tube

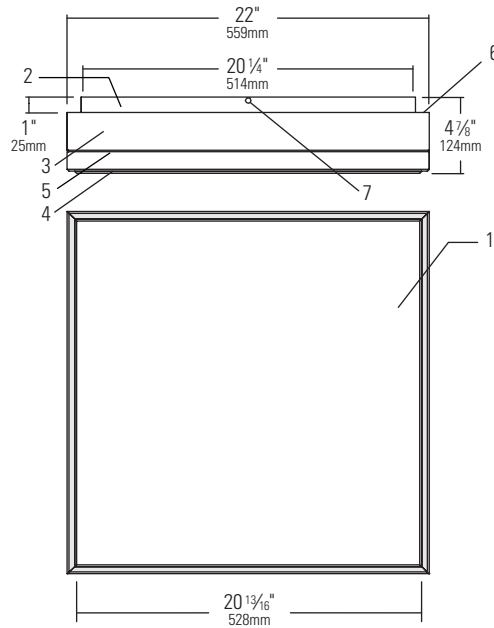
Job Information	Type:
Job Name:	
Cat. No.:	
Notes:	

PHILIPS
LIGHTOLIER

SR22AL

Architectural Decorative, Optimo 22" Square Reveal

Page 2 of 2



Features

- 1. Diffuser:** Injection molded, impact and UV resistant polycarbonate
- 2. Backplate:** Stamped 20ga. (0.036") C.R.S., gloss white powder coat finish
- 3. Upper Housing:** Extruded aluminum
- 4. Lower Housing:** Extruded aluminum
- 5. Spill Light:** Acrylic 0.6mm thick
- 6. Back Light:** Acrylic 2mm thick
- 7. Fastener Screw:** #8-32 flat Phillips head

Emergency

Bodine B4CFG emergency battery pack with test light and indicator switch, suitable for damp location.

Mechanical

Diffuser assembly securely fastens to backplate using countersunk screw. Fixtures Suitable for wall or ceiling mounting applications.

Finish

Brushed and Clear Lacquered

Accessories

Color Insert Kit, SACC22. Citrine, Garnet and Sapphire

Labels

cULus listed, suitable for damp locations. ULus listed



Philips Lightolier
e: lol.webmaster@philips.com
t: (508) 679-8131
w: www.lightolier.com

SR22AL September 8, 2011

Specifications are subject to change without notice.
© Koninklijke Philips Electronics N.V., 2011. All rights reserved.

Job Information Type: