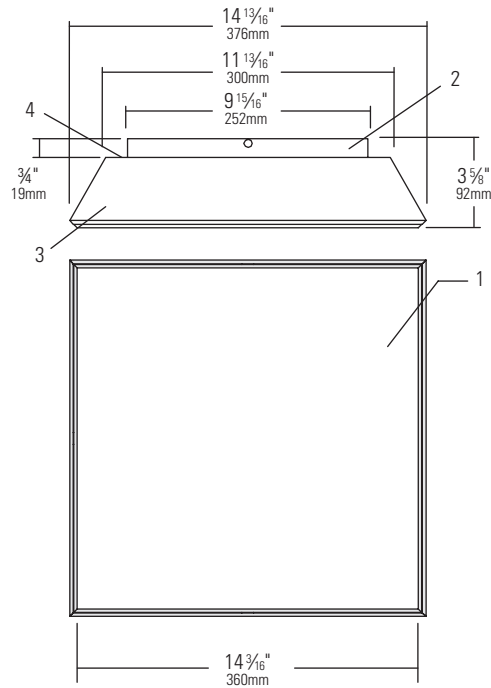


ST12AL

Architectural Decorative, Optimo

12" Square Reveal

Page 1 of 2



Fixture Ordering Information

Diffuser Catalog No.	Backplate	Wattage	Volts	Lamp
	S122U	22W	120V/277V	(1) T5 Circular
	S01L22	20W	120V	(4) 3500K White LED Boards

Job Information	Type:
Job Name:	
Cat. No.:	
Notes:	

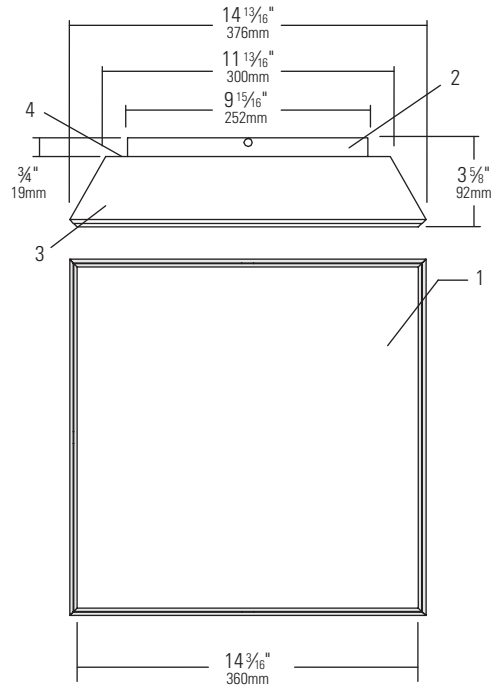
PHILIPS
LIGHTOLIER

ST12AL

Architectural Decorative, Optimo

12" Square Reveal

Page 2 of 2



Features

- 1. Diffuser:** Injection molded, impact and UV resistant polycarbonate
- 2. Backplate:** Stamped 20ga.(0.036") C.R.S., gloss white powder coat finish
- 3. Housing:** Extruded aluminum
- 4. Back Light:** Opal acrylic, 2mm thick

Mechanical

Diffuser assembly fastens securely to backplate using springcup and countersunk screw. Fixtures suitable for wall or ceiling mounting applications.

Finish

Brushed and clear lacquered aluminium

Accessories

Color Insert Kit SACC12. Citrine, Garnet and Sapphire

Labels

cULus listed, suitable for damp locations. ULus listed.

*ADA compliant.



Philips Lightolier
 e: lol.webmaster@philips.com
 t: (508) 679-8131
 w: www.lightolier.com

ST12AL September 7, 2011

Specifications are subject to change without notice.
 © Koninklijke Philips Electronics N.V., 2011. All rights reserved.

Job Information	Type:
-----------------	-------