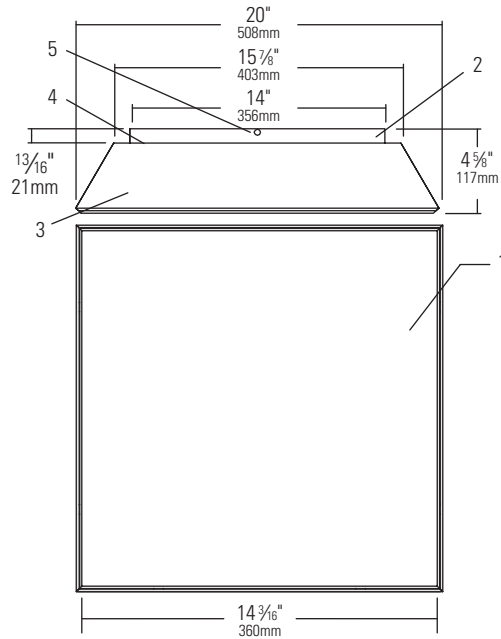


ST16AL

Architectural Decorative, Optimo 16" Square Tapered

Page 1 of 2



Ordering Information

Diffuser Catalog Number	Backplate	Volts	Wattage	Lamping
ST16AL	S2240U	120-277V	22W and 40W	(2) T5 Circular
	S16140U	120-277V	40W	(1) T5 Circular
	S01L16	120V	45W	(9) 3500K White LED Boards
SR16ALEM	S16140UE	120-277V	40W	(1) T5 Circular

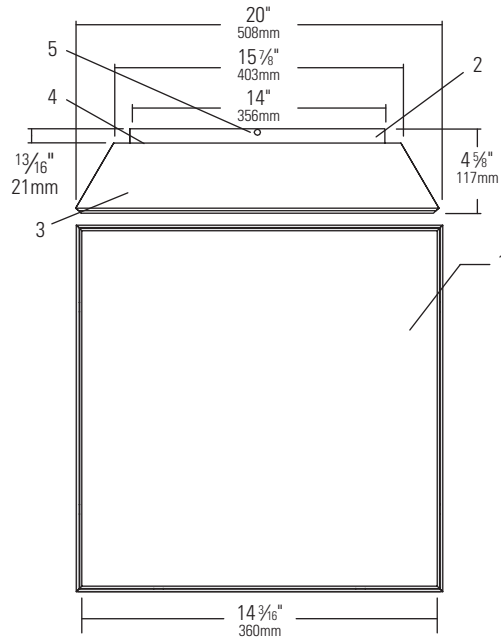
Job Information	Type:
Job Name:	
Cat. No.:	
Notes:	

PHILIPS
LIGHTOLIER

ST16AL

Architectural Decorative, Optimo 16" Square Tapered

Page 2 of 2



Features

- 1. Diffuser:** Injection molded, impact and UV resistant polycarbonate
- 2. Backplate:** Stamped 20ga. (0.036") C.R.S., gloss white powder coat finish
- 3. Housing:** Extruded aluminum
- 4. Back Light:** Acrylic 2mm thick
- 5. Fastener Screw:** #8-32 flat Phillips head

Emergency

Bodine B4CFG emergency battery pack with test light and indicator switch, suitable for damp location.

Mechanical

Diffuser assembly securely fastens to backplate using countersunk screw
Fixtures suitable for wall or ceiling mounting applications.

Finish

Brushed and clear lacquered

Accessories

Color Insert Kit, SACC16. Citrine, Garnet and Sapphire

Labels

cULus listed, suitable for damp locations. ULus listed
*ADA Compliant.



Philips Lightolier
e: lol.webmaster@philips.com
t: (508) 679-8131
w: www.lightolier.com

ST16AL September 8, 2011

Specifications are subject to change without notice.
© Koninklijke Philips Electronics N.V., 2011. All rights reserved.

Job Information	Type:
------------------------	--------------