

PHILIPS
Day-Brite
CFI

Recessed

SpecPlus 1x4

T8, T5, or T5HO



Project: _____
 Location: _____
 Cat.No: _____
 Type: _____
 Lamps: _____ Qty: _____
 Notes: _____

The Philips Day-Brite / CFI SpecPlus recessed offers specification grade quality and features. Built-in grid clips, easy re-lamping, and large lens area puts this luminaire in the lead on performance, safety and ease of maintenance.

Ordering guide

example: SPS1GFSA232UNV-1/2-EB

Family	Air Function	Width	Ceiling Type	Lens Frame	Lens Shielding	Lamp Quantity	Lamp Type	Voltage	Options
<input type="text" value="SP"/>	<input type="text" value="S"/>	<input type="text" value="1"/>	<input type="text" value="G"/>	<input type="text"/>	<input type="text"/>	<input type="text"/>	<input type="text"/>	<input type="text" value="-"/>	<input type="text"/>
SP SpecPlus Lensed Troffer	S Static	1 1'	G Grid (lay-in T bar)	FS Flat steel FA Flat aluminum RA Regressed aluminum	VA Pattern 12 prismatic acrylic, .095" nominal VI Pattern 12, .125" nominal VY K-12, .125" nominal KA Pattern 19, .156" nominal BP 1/2"x1/2"x1/2" silver plastic louver, polystyrene AP 1/2"x1/2"x1/2" silver plastic louver, acrylic MC 1.5"x1.5"x1" silver plastic louver, polystyrene ML 1.5"x1.5"x1" silver plastic louver, acrylic SE 3/4"x3/4"x3/8" silver plastic louver, polystyrene SF 3/4"x3/4"x3/8" silver plastic louver, acrylic	1 1 lamp 2 2 lamp 3 3 lamp	28 28WT5 32 32WT8 54 54WT5HO	UNV Universal voltage, 120-277V 120 120V 277 277V 347 347V	1/1 One 1-lamp ballast 1/2 One 2-lamp ballast 1/3 One 3-lamp ballast 1/21 2-lamp & 1-lamp ballasts EB Electronic ballast, < 10% THD std. ballast factor EB10R T8 electronic ballast, <10% THD, program rapid start EBHE T8 electronic ballast, high efficiency std. ballast factor EBLHE T8 electronic ballast, high efficiency low ballast factor EBHHE T8 electronic ballast, high efficiency high ballast factor EBD7 Advance Mark 7 dimming ballast, 0-10V (low voltage) control EBDX Advance Mark 10 dimming ballast, phase control EBSD T8 electronic step dimming ballast, .88 ballast factor EBD Electronic dimming ballast, customer specified E1 B100 emerg. ballast, T8, 350-450 lumens, 120/277V ETCAN B100-CAN emerg. ballast, Canada market, T8, 350-450 lumens, 120/347V E7 B60 emerg. ballast, T8, 600-700 lumens, 120/277V E5 B50 emerg. ballast, U.S. or Canada market, T8, 1100-1400 lumens, UNV E5CAN B50-CAN emerg. ballast, Canada market, T8, 1100-1400 lumens, 120/347V E5ST B50ST emerg. ballast w/self test, U.S. or Canada market, T8, 1100-1400 lumens, UNV E7LP LP550 emerg. ballast T5/T5HO, 430-700 lumens, 120/277V E6LP LP600 emerg. ballast U.S. or Canada market, T5/T5HO, 750-1325 lumens, 120/277V F1 3/8" flex, 3 wire 18 gauge 6' F2 3/8" flex, 4 wire 18 gauge 6' F2/5W 3/8" flex, 5 wire 18 gauge 6' GLR Fusing, fast blow LPT830HL Installed T8/T5 hi lumen lamps, 80+ CRI, 3000K LPT835HL Installed T8/T5 hi lumen lamps, 80+ CRI, 3500K LPT841HL Installed T8/T5 hi lumen lamps, 80+ CRI, 4100K LPT830 Installed T8/T5/T5HO lamps, 80+ CRI, 3000K LPT835 Installed T8/T5/T5HO lamps, 80+ CRI, 3500K LPT841 Installed T8/T5/T5HO lamps, 80+ CRI, 4100K 1W 1-way gasketing, between lens & door frame 2W 2-way gasketing, 1W + gasketing between door frame & housing 3W 3-way gasketing, 2W + gasketing for field installation between housing & ceiling PAF Housing painted after fabrication

Accessories (order separately)

- GCP – Grid clip pack (1'x4')
- FMA14 – 1'x4' "F" mounting frame for NEMA "F" installations
- Electrical wiring options – consult factory

SPS SpecPlus 1x4

T8, T5, or T5HO

Construction/finish

- Quality recessed troffer for the following "NEMA" ceiling types: NEMA "G"-Grid, NEMA "NFSG"-Narrow Faced Slot Grid, NEMA "GR"-Grid Regressed, NEMA "NFG"-Narrow Faced Grid
- Field assembled and installed "F" mounting Frame adapts fixture for use in NEMA "F" ceilings requiring flanges.
- Housing is constructed of pre-painted steel.
- Troffer body die-formed CR steel with reinforcing ribs for rigidity.
- 7/8" K.O.'s provided in each end cap and quick wire access plate in housing top with two 7/8" K.O.'s provided.

- Snap on wireway cover.
- T-bar clips are not integral to the luminaire, and must be ordered separately.
- Low profile body minimizes clearance required.
- All units have wire hanger tabs for independent wire suspension.

Electrical

- UL listed, suitable for damp locations.
- Self-contained fluorescent emergency power packs can be incorporated. UL listed for dry locations.
- No exposed internal wiring.

Enclosure

- Flat steel door frame has mitered corners.
- Hinged and latched (from either side) door frame.
- Mechanically designed interlocks eliminate light leaks, no gaskets are needed.
- White (standard) or black (optional) door frames available.
- Diffuser is clear color stabilized 100% prismatic acrylic.

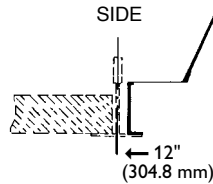
Ceiling Configuration

SP S 1 G FS VA 2 32

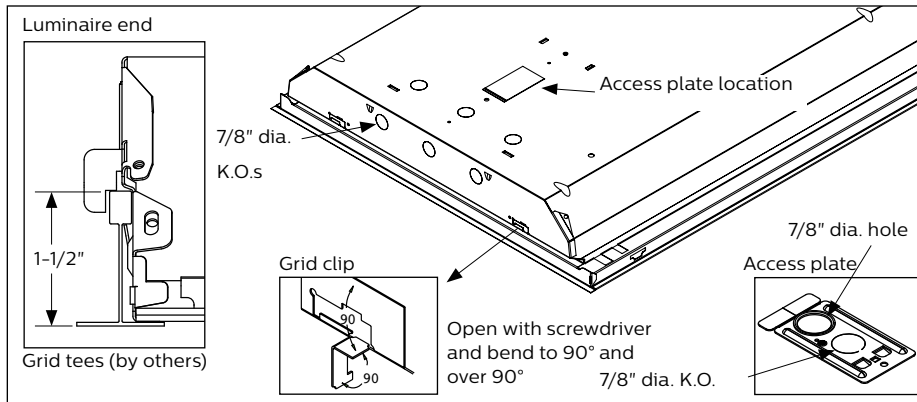
|

Ceiling type

G = Grid (NEMA G)



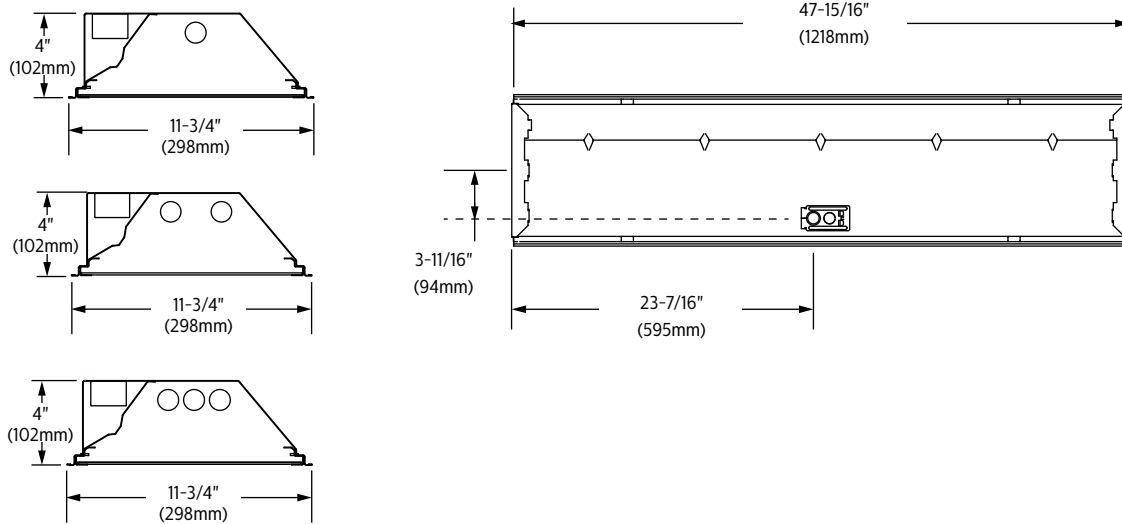
(NEMA Type G)
Lay-in acoustical ceilings using exposed grid suspension, with tees for luminaires on 12" x 48" spacing.



SPS SpecPlus 1x4

T8, T5, or T5HO

Dimensions



Photometry

SpecPlus 1x4 2 Lamp T8

Efficiency – 69.2%

LER – 68

TER – 61

Catalog No.	SPS1GFVA232	Candlepower				Light Distribution				Average Luminance								
Test No.	33910	Angle	End	45	Cross	Degrees	Lumens	% Lamp	% Luminaire	Angle	End	45°	Cross					
S/MH	1.3	0	1732	1732	1732	0-30	1363	22.0	31.8	45	5170	4977	4596					
Lamp Type	F32T8	5	1722	1723	1728	0-40	2219	35.8	51.8	55	4223	3933	3382					
Lumens/Lamp	3100	15	1668	1677	1679	0-60	3639	58.7	84.9	65	3154	2738	2479					
Ballast Factor	.89	25	1545	1553	1561	0-90	4290	69.2	100	75	2788	2077	1951					
Input Watts	56	35	1352	1353	1335	Coefficients of Utilization												
Comparative yearly lighting energy cost per 1000 lumens – \$3.53 based on 3000 hrs. and \$.08 pwr KWH. The photometric results were obtained in the Philips Day-Brite laboratory which is NVLAP accredited by the National Institute of Standards and Technology.		45	1080	1039	960	Effective Floor Cavity Reflectance 20 Per (Pfc=0.20)												
		55	715	666	573	pcc	80			70			50					
		65	394	342	309	pw	70	50	30	70	50	30	50	30				
		75	213	159	149	RCR												
		85	99	58	35	0	81	81	81	80	80	80	77	77				

SPS SpecPlus 1x4

T8, T5, or T5HO

Photometry

SpecPlus 1x4 3 Lamp T8

Efficiency – 62.1%

LER – 62

TER – 56

		Candlepower				Light Distribution				Average Luminance			
Catalog No.	SPS1GFVA332	Angle	End	45	Cross	Degrees	Lumens	% Lamp	% Luminaire	Angle	End	45'	Cross
Test No.	33911	0	2377	2377	2377	0-30	1865	20.1	32.3	45	7030	6656	6010
S/MH	1.2	5	2364	2366	2368	0-40	3028	32.6	52.4	55	5729	5141	4294
Lamp Type	F32T8	15	2287	2299	2294	0-60	4924	52.9	85.3	65	4230	3536	3144
Lumens/Lamp	3100	25	2118	2122	2119	0-90	5778	62.1	100	75	3711	2704	2519
Ballast Factor	.83	35	1844	1835	1788					85	5122	3049	1858
Input Watts	77	45	1468	1390	1255								
		55	970	871	727								
		65	528	441	392								
		75	284	207	193								
		85	132	78	48								

Coefficients of Utilization											
Effective Floor Cavity Reflectance 20 Per (Pfc=0.20)											
pcc	80			70			50				
pw	70	50	30	70	50	30	50	30			
RCR											
0	73	73	73	71	71	71	68	68			
1	68	65	63	66	64	61	60	58			
2	61	57	54	60	56	53	54	51			
3	56	51	46	56	50	46	48	45			
4	53	46	40	51	45	40	44	39			
5	48	40	35	47	40	35	39	34			
6	45	36	32	44	36	32	35	30			
7	41	34	28	40	34	28	33	28			
8	39	30	26	38	30	26	29	26			
9	36	28	23	35	28	23	28	23			
10	34	27	22	34	26	22	26	20			

Comparative yearly lighting energy cost per 1000 lumens – **\$3.87** based on 3000 hrs. and \$.08 pwr KWH.

The photometric results were obtained in the Philips Day-Brite laboratory which is NVLAP accredited by the National Institute of Standards and Technology.



Some luminaires use fluorescent or high intensity discharge (HID) lamps that contain small amounts of mercury. Such lamps are labeled, "Contain Mercury" and/or the symbol "HG". Lamps that contain mercury must be disposed of in accordance with local requirements. Information regarding lamp recycling and disposal can be found at www.lamprecycle.org

