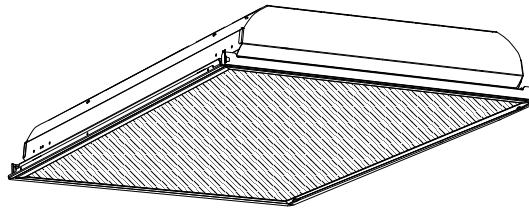


# PHILIPS Day-Brite CFI

## Recessed

### SpecPlus LED 2x2

2500, 3300, 3800, or  
4200 lumens



Project: \_\_\_\_\_  
 Location: \_\_\_\_\_  
 Cat.No: \_\_\_\_\_  
 Type: \_\_\_\_\_  
 Lamps: \_\_\_\_\_ Qty: \_\_\_\_\_  
 Notes: \_\_\_\_\_

The Philips Day-Brite / Philips CFI SpecPlus LED recessed offers higher quality and more features than any other specification grade troffer. Built-in clips with positive clamping by screws, and large lens area put this luminaire in the lead on performance.

#### Ordering guide

Example: SPS22GFSVA25A40UDZT

Family	Air Function	Fixture Size	Ceiling Type	Door Frame	Lens Type	Lumen Package	Color Temp.	Voltage	Driver Type	Options
<input type="text" value="SP"/>	<input type="text" value="S"/>	<input type="text" value="22"/>	<input type="text"/>	<input type="text"/>	<input type="text"/>	<input type="text"/>	<input type="text"/>	<input type="text"/>	<input type="text" value="-"/>	<input type="text"/>
SP SpecPlus	S Static	22 2'x2'	G 9/16" or 15/16" Grid F Flange	FS Flat steel FA Flat aluminum RA Regressed aluminum	VA Pattern 12 prismatic acrylic, .095" nominal VI Pattern 12, .125" nominal VY K12, .125" nominal KA K19, .156" nominal VL Pattern 12, .187" nominal, high impact acrylic	25A 2500 lumens 33A 3300 lumens 38A 3800 lumens 42A 4200 lumens  4000K represented (Approximate delivered values. Consult IES file)	35 3500K 40 4000K 50 5000K  Consult representative for other color temperature options. (Approximate values. Consult IES file.)	U Universal voltage 120-277V 3 347V	DZT 0-10V dimming SDIM Step dimming to 40% input power	F1 3/8" flex, 3 wire 18 gauge 6' F2 3/8" flex, 4 wire 18 gauge 6' F1/D 3/8" twin flex, 3 wire 18 gauge 6' for dimmable luminaires F2/5W 3/8" single flex, 5 wire 18 gauge 6' for dimmable luminaires GLR Fusing, fast blow EMLED Integral emergency battery pack 1W 1-way gasketing, between lens & door frame 2W 2-way gasketing, 1W + gasketing between door frame & housing (door frame to housing only for RA) 3W 3-way gasketing, 2W + gasketing for field installation between housing & ceiling (door frame to housing and housing to ceiling only for RA) TR Tamper resistant door frame (FS frame only) PAF Housing painted after fabrication CHIC Chicago Plenum rated

#### Accessories (order separately)

- FMA22 – 2'x2' "F" mounting frame for NEMA "F" installations
- TPDTH – Driver handle and bit, Torx head pin drive (for -TR option)



# SPS SpecPlus LED recessed 2x2

2500, 3300, 3800, or 4200 lumens

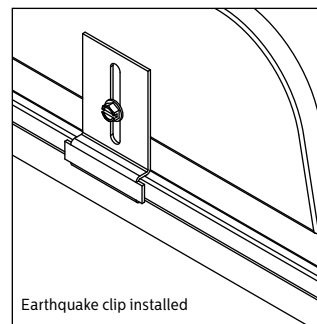
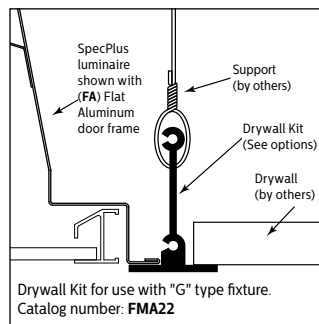
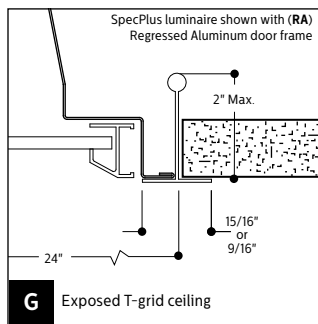
## Features

- Prismatic acrylic lens.
- Field replaceable LED array and drivers accessible from below.
- Integrated thermal management system conducts heat away from LEDs and transfers it to the surrounding environment.
- Factory calibrated intelligent driver capable of providing various lumen outputs to balance energy savings with lighting application needs.
- High efficiency LEDs have 50,000 hour rated life at L70.
- Predicted L70 lifetime is based on LED manufacturer's supplied LM-80 data and in-situ laboratory testing.
- 5" deep body.
- Earthquake/Hold-down clips.
- Hemmed over side rails for maximum safety.
- Spring loaded rooster head latches.
- Not for continuous row mounting.
- Five-year warranty on luminaire, LED boards and driver.
- Tamper resistant (TR) option consists of a door frame with tamper resistant latches. Latches are secured by tamper resistant Torx head pin drive screws. (Special driver bit required, catalog number TPDTH, sold separately.)

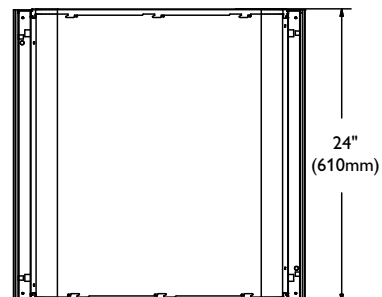
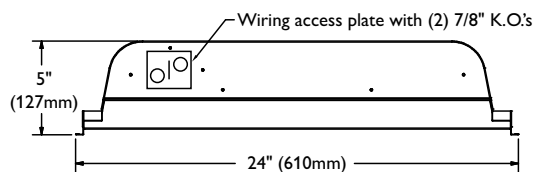
## Specifications

- **Materials:** Chassis parts – die-formed code gauge cold rolled steel. Housing with side rails hemmed over and housing ends turned-in for safe handling.
- **Finish:** Chassis exterior – white baked polyester enamel. Cavity–white baked polyester enamel minimum 95% reflectance. Rust preventative undercoating.
- **Lens Frame:** FS – flat full-size steel frame, FA – flat full-size extruded aluminum frame, RA – regressed full-sized extruded aluminum frame.
- **Lenses:** KA – extruded virgin acrylic .156" nominal thickness, similar to pattern 19. VA – extruded virgin acrylic, 3/16" square based female cones, running 45° to the panel edge, .095" nominal thickness, similar to pattern 12.
- **Electrical:** LED boards and drivers are RoHS (Restriction of Hazardous Substances) compliant.
- **Labels:** cETLus listed to UL and CSA standards, suitable for damp locations.

## Mounting methods



## Dimensions



# SPS SpecPlus LED recessed 2x2

2500, 3300, 3800, or 4200 lumens

## Photometry

Report Number <sup>1</sup> :	G2011108
Catalog Number:	SPS22GFSKA38A4OULAG
Delivered Lumens:	3621
Correlated Color Temp. <sup>2</sup> :	4014K
Input Watts:	44.9
Efficacy:	80.6 lm/w
CRI:	84.4
Lamp:	LED
Luminaire:	2' x 2' Specplus LED with flat steel door frame and acrylic prismatic lens
CIE Type:	Direct/Indirect
Plane:	0-Deg. 90-Deg.
Shielding Angles:	90 90
Plane:	0-Deg. 90-Deg.
Luminous Length:	22.800 22.800

## Candela Distribution

Vertical Angle	Horizontal Angle			Zonal Lumens
	0	45	90	
0	2017	2017	2017	
5	1988	1994	2000	189
15	1865	1883	1904	532
25	1659	1692	1737	782
35	1364	1392	1456	870
45	810	766	746	616
55	290	400	254	325
65	98	153	86	161
75	91	61	85	107
85	33	35	35	40
90	0	0	0	

<sup>1</sup> Tested using absolute photometry as specified in LM79: IESNA Approved Method for the Electrical and Photometric Measurements of Solid-State Lighting Products.

<sup>2</sup> Correlated Color Temperature within specs as defined in ANSL NEMA ANSLG C78.377-2008: Specifications for the Chromaticity of Solid State Lighting Products.

## Coefficients of Utilization

Ceiling Wall	80%						50%						30%																																																																																							
	70	50	30	10	50	30	10	50	30	10	50	30	10	50	30	10																																																																																				
RC	Zonal Cavity Method																																																																																																			
RW	Effective Floor Reflectance = 20%																																																																																																			
Room Cavity Ratio	1	111	107	104	101	98	96	97	95	93	2	103	96	91	91	87	83	88	85	82	3	96	87	80	83	77	73	80	76	72	4	89	79	72	75	69	65	73	68	64	5	83	72	64	69	63	58	67	62	57	6	77	66	58	63	57	52	62	56	52	7	72	61	53	58	52	47	57	51	47	8	68	56	48	54	47	43	53	47	43	9	64	52	44	50	44	39	49	43	39	10	60	48	41	47	40	36	46	40	36

## Zonal Lumen Summary\*

Zone	Lumens	% Lamp	% Fixt.
0-30	1502	41.5	41.5
0-40	2372	65.5	65.5
0-60	3314	91.5	91.5
0-90	3621	100.0	100.0
0-180	3621	100.0	100.0
*Total Efficiency			

## Average Luminance data in candela / sq. meter

Angle	0°	45°	90°
45	3804.	3598.	3504.
55	1679.	2316.	1471.
65	770.	1202.	676.
75	1168.	783.	1091.
85	1257.	1334.	1334.

## Additional Ordering Information

### Flat Steel/Aluminum Door Frame with KA Lens

Catalog Number	Delivered Lumens	Input Watts	Lumens per Watt	Average initial 8'X8' footcandles	8'X8' Watts per sq. foot	Average initial 8'X10' footcandles	8'X10' Watts per sq. foot
SPS22GFSKA25A4OULAG	2565	30.4	84.4	43	0.48	35	0.38
SPS22GFSKA33A4OULAG	3158	38.3	82.5	53	0.60	43	0.48
SPS22GFSKA38A4OULAG	3621	44.9	80.6	61	0.70	50	0.56
SPS22GFSKA42A4OULAG	4140	52.8	78.4	70	0.83	57	0.66

### Flat Steel/Aluminum Door Frame with VA Lens

Catalog Number	Delivered Lumens	Input Watts	Lumens per Watt	Average initial 8'X8' footcandles	8'X8' Watts per sq. foot	Average initial 8'X10' footcandles	8'X10' Watts per sq. foot
SPS22GFSVA25A4OULAG	2722	30.4	89.5	45	0.48	36	0.38
SPS22GFSVA33A4OULAG	3362	38.4	87.6	55	0.60	45	0.48
SPS22GFSVA38A4OULAG	3841	44.9	85.5	63	0.70	52	0.56
SPS22GFSVA42A4OULAG	4397	52.8	83.3	73	0.83	59	0.66

### Regressed Aluminum Door Frame with KA Lens

Catalog Number	Delivered Lumens	Input Watts	Lumens per Watt	Average initial 8'X8' footcandles	8'X8' Watts per sq. foot	Average initial 8'X10' footcandles	8'X10' Watts per sq. foot
SPS22GRAKA25A4OULAG	2598	30.4	85.5	44	0.48	35	0.38
SPS22GRAKA33A4OULAG	3194	38.3	83.4	54	0.60	44	0.48
SPS22GRAKA38A4OULAG	3681	44.9	82.0	62	0.70	50	0.56
SPS22GRAKA42A4OULAG	4199	52.8	79.5	71	0.83	58	0.66

### Regressed Aluminum Door Frame with VA Lens

Catalog Number	Delivered Lumens	Input Watts	Lumens per Watt	Average initial 8'X8' footcandles	8'X8' Watts per sq. foot	Average initial 8'X10' footcandles	8'X10' Watts per sq. foot
SPS22GRAVA25A4OULAG	2729	30.4	89.8	45	0.48	37	0.38
SPS22GRAVA33A4OULAG	3358	38.3	87.7	55	0.60	45	0.48
SPS22GRAVA38A4OULAG	3860	44.9	86.0	64	0.70	52	0.56
SPS22GRAVA42A4OULAG	4397	52.8	83.3	73	0.83	59	0.66

© 2015 Koninklijke Philips N.V. All rights reserved.  
Philips reserves the right to make changes in specifications and/or to discontinue any product at any time without notice or obligation and will not be liable for any consequences resulting from the use of this publication.  
philips.com/luminaires



Philips Lighting North America Corporation  
200 Franklin Square Drive, Somerset, NJ 08873  
Tel. 855-486-2216

Philips Lighting Canada Ltd.  
A division of Philips Electronics Ltd.  
281 Hillmount Rd, Markham, ON, Canada L6C 2S3  
Tel. 800-668-9008