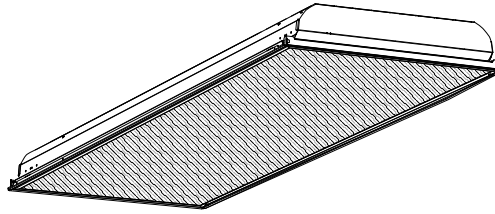


PHILIPS Day-Brite CFI

Recessed

SpecPlus LED 2x4

2600, 3300, 3700, or
4300 lumens



Project: _____
 Location: _____
 Cat.No: _____
 Type: _____
 Lamps: _____ Qty: _____
 Notes: _____

The Philips Day-Brite / Philips CFI SpecPlus LED recessed offers higher quality and more features than any other specification grade troffer. Built-in clips with positive clamping by screws, and large lens area put this luminaire in the lead on performance.

Ordering guide

Example: SPS24GFSVA25A40UDZT

Family	Air Function	Fixture Size	Ceiling Type	Door Frame	Lens Type	Lumen Package	Color Temp.	Voltage	Driver Type	Options
<input type="text" value="SP"/>	<input type="text" value="S"/>	<input type="text" value="24"/>	<input type="text"/>	<input type="text"/>	<input type="text"/>	<input type="text"/>	<input type="text"/>	<input type="text"/>	<input type="text" value="-"/>	<input type="text"/>
SP SpecPlus	S Static	24 2'x4'	G 9/16" or 15/16" Grid F Flange	FS Flat steel FA Flat aluminum RA Regressed aluminum	VA Pattern 12 prismatic acrylic, .095" nominal VI Pattern 12, .125" nominal VY K12, .125" nominal KA K19, .156" nominal VL Pattern 12, .187" nominal, high impact acrylic	26A 2500 lumens 33A 3300 lumens 37A 3700 lumens 43A 4300 lumens 4000K represented (Approximate delivered values. Consult IES file)	35 3500K 40 4000K 50 5000K Consult representative for other color temperature options. (Approximate values. Consult IES file.)	U Universal voltage 120-277V 3 347V	DZT 0-10V dimming SDIM Step dimming to 40% input power	F1 3/8" flex, 3 wire 18 gauge 6' F2 3/8" flex, 4 wire 18 gauge 6' F1/D 3/8" twin flex, 3 wire 18 gauge 6' for dimmable luminaires F2/5W 3/8" single flex, 5 wire 18 gauge 6' for dimmable luminaires GLR Fusing, fast blow EMLED Integral emergency battery pack 1W 1-way gasketing, between lens & door frame 2W 2-way gasketing, 1W + gasketing between door frame & housing (door frame to housing only for RA) 3W 3-way gasketing, 2W + gasketing for field installation between housing & ceiling (door frame to housing and housing to ceiling only for RA) TR Tamper resistant door frame (FS frame only) PAF Housing painted after fabrication CHIC Chicago Plenum rated

Accessories (order separately)

- FMA24 – 2'x4' "F" mounting frame for NEMA "F" installations
- TPDTH – Driver handle and bit, Torx head pin drive (for -TR option)



SPS SpecPlus LED recessed 2x4

2600, 3300, 3700, or 4300 lumens

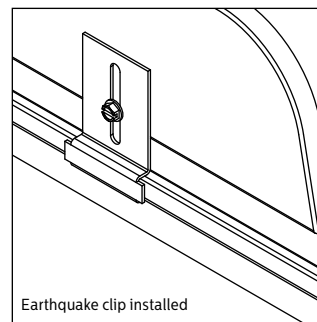
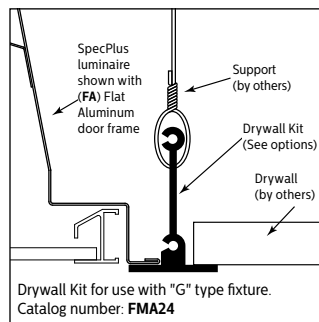
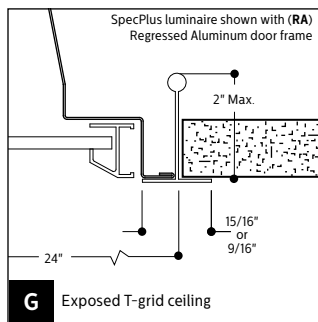
Features

- Prismatic acrylic lens.
- Field replaceable LED array and drivers accessible from below.
- Integrated thermal management system conducts heat away from LEDs and transfers it to the surrounding environment.
- Factory calibrated intelligent driver capable of providing various lumen outputs to balance energy savings with lighting application needs.
- High efficiency LEDs have 50,000 hour rated life at L70.
- Predicted L70 lifetime is based on LED manufacturer's supplied LM-80 data and in-situ laboratory testing.
- 5" deep body.
- Earthquake/Hold-down clips.
- Hemmed over side rails for maximum safety.
- Spring loaded rooster head latches.
- Not for continuous row mounting.
- Five-year warranty on luminaire, LED boards and driver.
- Tamper resistant (TR) option consists of a door frame with tamper resistant latches. Latches are secured by tamper resistant Torx head pin drive screws. (Special driver bit required, catalog number TPDTH, sold separately.)

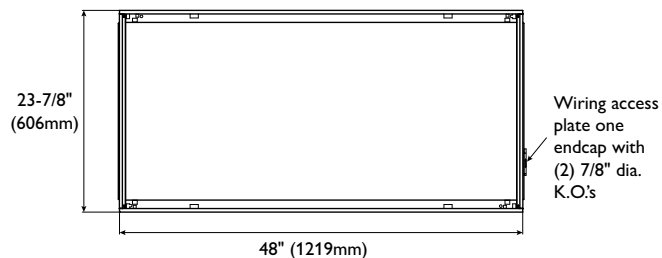
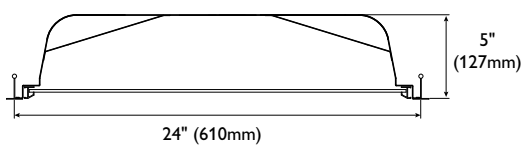
Specifications

- **Materials:** Chassis parts – die-formed code gauge cold rolled steel. Housing with side rails hemmed over and housing ends turned-in for safe handling.
- **Finish:** Chassis exterior – white baked polyester enamel. Cavity–white baked polyester enamel minimum 95% reflectance. Rust preventative undercoating.
- **Lens Frame:** FS – flat full-size steel frame, FA – flat full-size extruded aluminum frame, RA – regressed full-sized extruded aluminum frame.
- **Lenses:** KA – extruded virgin acrylic .156" nominal thickness, similar to pattern 19. VA – extruded virgin acrylic, 3/16" square based female cones, running 45° to the panel edge, .095" nominal thickness, similar to pattern 12.
- **Electrical:** LED boards and drivers are RoHS (Restriction of Hazardous Substances) compliant.
- **Labels:** cETLus listed to UL and CSA standards, suitable for damp locations.

Mounting methods



Dimensions



SPS SpecPlus LED recessed 2x4

2600, 3300, 3700, or 4300 lumens

Photometry

Report Number: G2011242
 Catalog Number: SPS24GFAKA37A40ULAG
 Delivered Lumens: 3742
 Correlated Color Temp.²: 3995K
 Input Watts: 44.9
 Efficacy: 83.3 lm/w
 CRI: 84.6
 Lamp: LED
 Luminaire: 2' x 4' Specplus LED with flat steel door frame and acrylic prismatic lens
 CIE Type: Direct/Indirect
 Plane: 0-Deg. 90-Deg.
 Shielding Angles: 90 90
 Plane: 0-Deg. 90-Deg.
 Luminous Length: 45.960 21.720

Candela Distribution

Vertical Angle	Horizontal Angle			Zonal Lumens
	0	45	90	
0	1976	1976	1976	
5	1948	1956	1970	186
15	1842	1863	1879	526
25	1674	1692	1723	782
35	1420	1424	1486	896
45	947	857	806	682
55	349	435	284	355
65	102	179	96	174
75	80	58	82	104
85	31	32	33	37
90	0	0	0	

¹ Tested using absolute photometry as specified in LM79: IESNA Approved Method for the Electrical and Photometric Measurements of Solid-State Lighting Products.

² Correlated Color Temperature within specs as defined in ANSL NEMA ANSLG C78.377-2008: Specifications for the Chromaticity of Solid State Lighting Products.

Coefficients of Utilization

Ceiling	80%						50%						30%					
	RC	70	50	30	50	30	10	50	30	10	50	30	10	50	30	10		
Wall	Zonal Cavity Method																	
RC	Effective Floor Reflectance = 20%																	
RW																		
Room Cavity Ratio	1	111	107	104	101	98	96	97	95	93								
	2	103	96	91	91	87	83	88	84	81								
	3	96	87	80	82	77	73	80	75	72								
	4	89	79	71	75	69	64	73	68	63								
	5	83	71	64	68	62	57	67	61	57								
	6	77	65	57	63	56	51	61	55	51								
	7	72	60	52	58	51	46	56	50	46								
	8	67	55	48	53	47	42	52	46	42								
	9	63	51	44	49	43	38	48	42	38								
	10	59	47	40	46	40	35	45	39	35								

Average Luminance data in candela / sq. meter

Angle	0°	45°	90°
45	2079.	1881.	1769.
55	944.	1177.	769.
65	375.	657.	353.
75	480.	348.	492.
85	552.	570.	588.

Zonal Lumen Summary*

Zone	Lumens	% Lamp	% Fixt.
0-30	1494	39.9	39.9
0-40	2391	63.9	63.9
0-60	3428	91.6	91.6
0-90	3742	100.0	100.0
0-180	3742	100.0	100.0
*Total Efficiency			

Additional Ordering Information

Flat Steel/Aluminum Door Frame with KA Lens

Catalog Number	Delivered Lumens	Input Watts	Lumens per Watt	Average initial 8'X8' footcandles	8'X8' Watts per sq. foot	Average initial 8'X10' footcandles	8'X10' Watts per sq. foot
SPS24GFSKA26A40ULAG	2623	30.1	87.1	41.0	0.47	32.8	0.38
SPS24GFSKA33A40ULAG	3268	38.5	84.9	51.1	0.60	40.9	0.48
SPS24GFSKA37A40ULAG	3742	44.9	83.3	58.5	0.70	46.8	0.56
SPS24GFSKA43A40ULAG	4294	52.9	81.2	67.1	0.83	53.7	0.66

Flat Steel/Aluminum Door Frame with VA Lens

Catalog Number	Delivered Lumens	Input Watts	Lumens per Watt	Average initial 8'X8' footcandles	8'X8' Watts per sq. foot	Average initial 8'X10' footcandles	8'X10' Watts per sq. foot
SPS24GFSVA26A40ULAG	2711	30.1	90.1	42.4	0.47	33.9	0.38
SPS24GFSVA33A40ULAG	3375	38.5	87.7	52.7	0.60	42.2	0.48
SPS24GFSVA37A40ULAG	3799	44.9	84.6	59.4	0.70	47.5	0.56
SPS24GFSVA43A40ULAG	4440	52.9	83.9	69.4	0.83	55.5	0.66

Regressed Aluminum Door Frame with KA Lens

Catalog Number	Delivered Lumens	Input Watts	Lumens per Watt	Average initial 8'X8' footcandles	8'X8' Watts per sq. foot	Average initial 8'X10' footcandles	8'X10' Watts per sq. foot
SPS24GRAKA26A40ULAG	2623	30.1	87.1	41.0	0.47	32.8	0.38
SPS24GRAKA33A40ULAG	3268	38.5	84.9	51.1	0.60	40.9	0.48
SPS24GRAKA37A40ULAG	3742	44.9	83.3	58.5	0.70	46.8	0.56
SPS24GRAKA43A40ULAG	4294	52.9	81.2	67.1	0.83	53.7	0.66

Regressed Aluminum Door Frame with VA Lens

Catalog Number	Delivered Lumens	Input Watts	Lumens per Watt	Average initial 8'X8' footcandles	8'X8' Watts per sq. foot	Average initial 8'X10' footcandles	8'X10' Watts per sq. foot
SPS24GRAVA26A40ULAG	2711	30.1	90.1	42.4	0.47	33.9	0.38
SPS24GRAVA33A40ULAG	3375	38.5	87.7	52.7	0.60	42.2	0.48
SPS24GRAVA38A40ULAG	3799	44.9	84.6	59.4	0.70	47.5	0.56
SPS24GRAVA43A40ULAG	4440	52.9	83.9	69.4	0.83	55.5	0.66

© 2015 Koninklijke Philips N.V. All rights reserved.
 Philips reserves the right to make changes in specifications and/or to discontinue any product at any time without notice or obligation and will not be liable for any consequences resulting from the use of this publication.
philips.com/luminaires



Philips Lighting North America Corporation
 200 Franklin Square Drive, Somerset, NJ 08873
 Tel. 855-486-2216

Philips Lighting Canada Ltd.
 A division of Philips Electronics Ltd.
 281 Hillmount Rd, Markham, ON, Canada L6C 2S3
 Tel. 800-668-9008