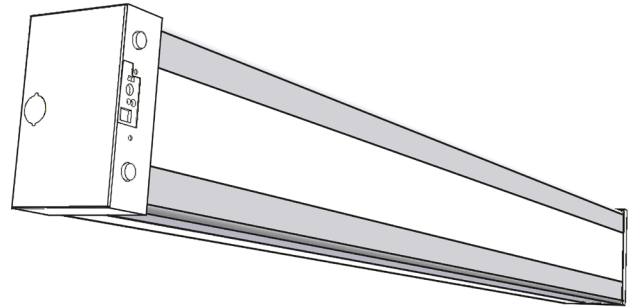
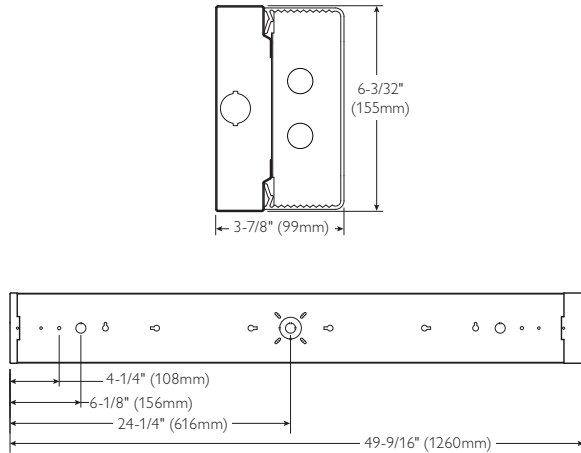


Wall/Ceiling Mounted Luminaire, T5 or T5HO



Ordering Information

| Stairwell | Fixture Length | Lens Type | Lamp Qty.. | Lamp Type | Voltage ² | Ballast Type | Sensor Type | Options | Options | Optional Fusing |
|----------------------------------|---|-----------|-------------------------|--|---|--------------|---|--|---|--|
| SF Surface Fluorescent | 4 4 = 48" (Nominal size) | | 2 2 = 2 Lamps | | 120 = 120v 277 = 277v UNV = 120-277v | | | | | |
| | C = White composite acrylic lens R = Linear prismatic virgin acrylic lens V = Vandal Proof - A High impact, 50% DR acrylic linear prismatic lens with additional secondary vandal proof end-caps secured with spinner head screws. (Factory installed only) | | | (by others) 28 = T5 28W 54 = T5HO 54W (Nominal 48") | | | US = Ultra Sonic OC = Infrared | DL ¹ = Optional GSA low level ballast controller Ballast factor VY 0.95 PG† NQ 0.80 PG† EQ MW | Emergency Pack (Consult factory for applicable code) | Optional fusing A = Internal fast blowing C = Internal slow blowing |

Features

- For stairwells, rest rooms, laundry rooms and other areas where maximum light levels are not required on a constant basis.
- Bi-level luminaire operates at full light output when space is occupied, offering safety and security with full light output only as needed and switches to a low standby light level of 50% light output, providing energy conservation when the space is vacant.
- Optional integrated Low Voltage Ultrasonic (40Khz) Occupancy Sensor or Infrared Occupancy Sensor allowing bi-level light output operation.
- GSA qualified low-level controller available. DL Control allows for the manual selection of the ballast low level mode at 5%, 10%, 20%, or 30% of normal output. UL E79683 listed.
- Only 3 7/8" deep, meets Americans with Disabilities Act for wall mounted fixtures.
- Concealed spring assisted pressure latching retains lens.
- Up and downlight, 2 lamp.
- 20 gauge cold rolled steel post painted baked white enamel end caps.
- Consult local code authority for applications where Stairwell luminaire will be used as emergency lighting.

| Job Information | Type: |
|------------------|-------|
| Job Name: | |
| Cat. No.: | |
| Notes: | |

¹ DL option , GSA controller, can only be specified in combination with a 0-10 volt dimming ballast and the US, Ultra Sonic, sensor option.
² Specific 120 or 277 voltage must be specified with use of a 0-10 volt dimming ballast (US sensor option only)

Wall/Ceiling Mounted Luminaire, T5 or T5HO

Specifications

Materials: Chassis Parts—Die-formed code gauge cold rolled steel. **End Caps**—20 gauge cold rolled steel.

Finish: Chassis Exterior—Flat white baked powder coated enamel. **End Caps**—Flat white baked enamel. Rust preventative undercoating.

Lenses: C—Unique composite, 1/8" thick DR (impact resistant) acrylic lens with a white opaque center and linear prisms to spread up/down light. **R**—Classic 1/8" thick linear prismatic virgin acrylic lens that is low in brightness. **V**—Vandal Proof. A linear prismatic lens of 50% DR (impact resistant) and 50% standard acrylic with a nominal thickness of 1/8" that will withstand 70 foot pounds of impact without breaking. Coupled with an additional secondary set of end-caps secured with spinner head screws. (Factory installed only)

Electrical: Thermally protected class "P" ballast CBM approved, non PCB. If K.O. is within 3" of ballast, use wire suitable for at least 90°.

Labels: I.B.E.W., cULus listed for damp locations.

Options/Accessories

Electrical Wiring Options: Consult factory.

Sensor Options

US—Ultrasonic Occupancy Sensor



- Ultrasonic technology (40Khz) Ultrasonic detection operates by transmitting sound waves throughout an area and measuring the speed at which they return.

OC—Infrared Occupancy Sensor



- Adjustable time delay from 30 seconds to 30 minutes.
- Fixed sensitivity optimized for FS-LxW lens coverage.
- RoHS compliant.
- Light level daylighting feature from 10-120 fc.

| | |
|------------------------|--------------|
| Job Information | Type: |
|------------------------|--------------|

PHILIPS

LIGHTOLIER

Wall/Ceiling Mounted Luminaire, T5 or T5HO

Photometry

Model No. SF4R228UNVPG

LER = 80.2 IW = 61.7 BF = 1.03
 Comparative yearly lighting energy cost per
 1000 lumens = \$2.99

Report Number: G2010059

Catalog Number: SF4R228UNVPG

Lamps: (2) F28T5

Luminaire: Stairwell Wall Mount
 luminaire with Ribbed
 Prismatic Lens

Ballast: ICN-2S28

Report is based on 2750 lumens per lamp.

Efficiency: 87.4%

CIE Type: Direct/Indirect

Plane: 0-Deg. 90-Deg.

Spacing Criteria: 3 1.1

Shielding Angles: 90 90

Luminous Length: 47.160 2.160

Height of side 6.000 6.000

Candela Distribution

| Vertical Angle | Horizontal Angle | | | Zonal Lumens |
|----------------|------------------|-----|-----|--------------|
| | 0 | 45 | 90 | |
| 0 | 379 | 379 | 379 | |
| 5 | 395 | 380 | 392 | 37 |
| 15 | 493 | 430 | 365 | 112 |
| 25 | 596 | 486 | 317 | 179 |
| 35 | 780 | 533 | 260 | 245 |
| 45 | 978 | 611 | 207 | 312 |
| 55 | 1120 | 697 | 160 | 366 |
| 65 | 1209 | 744 | 114 | 398 |
| 75 | 1229 | 755 | 69 | 399 |
| 85 | 1222 | 749 | 33 | 383 |
| 90 | 1220 | 748 | 28 | |
| 95 | 1238 | 756 | 49 | 391 |
| 105 | 1229 | 746 | 87 | 400 |
| 115 | 1182 | 723 | 129 | 390 |
| 125 | 1071 | 663 | 170 | 354 |
| 135 | 920 | 571 | 213 | 298 |
| 145 | 704 | 503 | 263 | 233 |
| 155 | 552 | 448 | 321 | 170 |
| 165 | 441 | 381 | 369 | 105 |
| 175 | 352 | 347 | 395 | 36 |
| 180 | 372 | 372 | 372 | |

Coefficients of Utilization

| Ceiling | 80% | | | 50% | | | 30% | | |
|---------|-----------------------------------|----|----|-----|----|----|-----|----|----|
| | 70 | 50 | 30 | 50 | 30 | 10 | 50 | 30 | 10 |
| Wall | | | | | | | | | |
| RC | Zonal Cavity Method | | | | | | | | |
| RW | Effective Floor Reflectance = 20% | | | | | | | | |
| 1 | 82 | 77 | 72 | 59 | 56 | 53 | 48 | 46 | 44 |
| 2 | 73 | 65 | 58 | 50 | 45 | 41 | 40 | 37 | 34 |
| 3 | 66 | 56 | 49 | 43 | 37 | 33 | 35 | 31 | 27 |
| 4 | 60 | 49 | 41 | 37 | 32 | 27 | 30 | 26 | 22 |
| 5 | 55 | 43 | 35 | 33 | 27 | 23 | 27 | 22 | 19 |
| 6 | 50 | 38 | 31 | 29 | 24 | 20 | 24 | 19 | 16 |
| 7 | 46 | 34 | 27 | 26 | 21 | 17 | 22 | 17 | 14 |
| 8 | 43 | 31 | 24 | 24 | 19 | 15 | 20 | 15 | 12 |
| 9 | 40 | 28 | 21 | 22 | 17 | 13 | 18 | 14 | 11 |
| 10 | 37 | 26 | 19 | 20 | 15 | 12 | 17 | 12 | 10 |

Zonal Lumen Summary

| Zone | Lumens | % Lamp | % Fixt. |
|--------|--------|--------|---------|
| 0- 30 | 328 | 6.0 | 6.8 |
| 0- 40 | 574 | 10.4 | 11.9 |
| 0- 60 | 1252 | 22.8 | 26.0 |
| 0- 90 | 2432 | 44.2 | 50.6 |
| 90-120 | 1182 | 21.5 | 24.6 |
| 90-130 | 1536 | 27.9 | 31.9 |
| 90-150 | 2067 | 37.6 | 43.0 |
| 90-180 | 2377 | 43.2 | 49.4 |
| 0-180 | 4809 | 87.4 | 100.0 |

Average Luminance data in candela / sq. meter

| Angle | 0° | 45° | 90° |
|-------|--------|-------|-------|
| 45 | 18663. | 1179. | 3091. |
| 55 | 25134. | 854. | 2671. |
| 65 | 34186. | 590. | 2177. |
| 75 | 48974. | 357. | 1594. |
| 85 | 86898. | 176. | 640. |



Philips Lightolier
 e: lol.webmaster@philips.com
 t: (508) 679-8131, Technical info. (978) 657-7600
 w: www.lightolier.com

Stairwell T5 T5HO March 8, 2012

Specifications are subject to change without notice.
 © Koninklijke Philips Electronics N.V., 2012. All rights reserved.

Job Information Type: