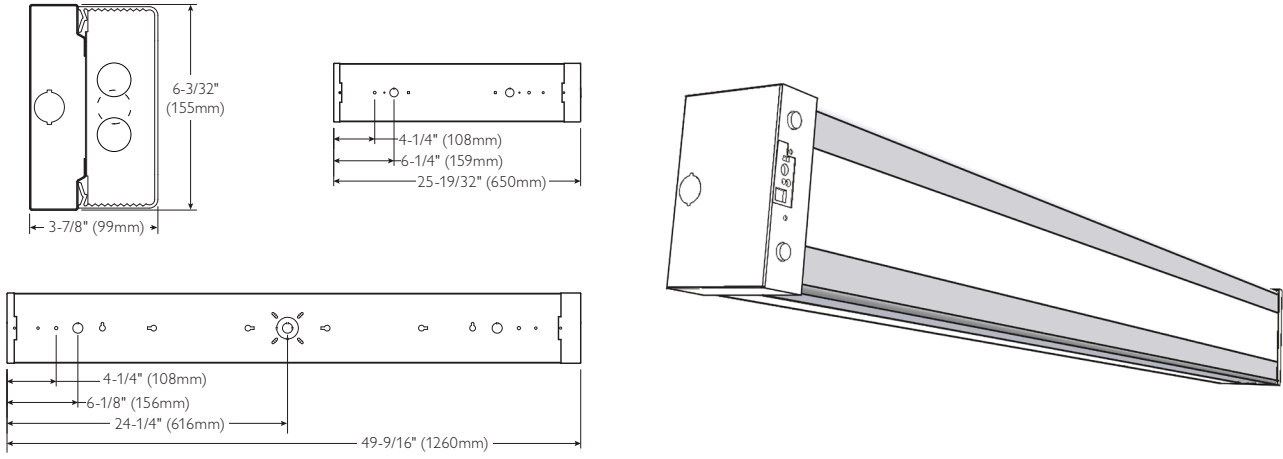


## Wall/Ceiling Mounted Luminaire, T8



### Ordering Information

Stairwell	Fixture Length	Lens Type	Lamp Qty..	Lamp Type	Voltage <sup>2</sup>	Ballast Type	Sensor Type	Options	Options	Optional Fusing
<b>SF</b> Surface Fluorescent	2 = 24" 4 = 48" (Nominal size)	C = White composite acrylic lens R = Linear prismatic virgin acrylic lens V = <b>Vandal Proof</b> -A High impact, 50% DR acrylic linear prismatic lens with additional secondary vandal proof end-caps secured with spinner head screws. (Factory installed only)	1 = 1 Lamp 2 = 2 Lamps	(by others) 17 = T8 17W (Nominal 24") 32 = T8 32W (Nominal 48")	120 = 120v 277 = 277v UNV = 120-277v UN2 = 2, one lamp universal voltage ballasts (SF4 ONLY)	US = Ultra Sonic OC = Infrared	DL <sup>1</sup> = Optional GSA low level ballast controller	Emergency Pack (Consult factory for applicable code)	Optional fusing A = Internal fast blowing C = Internal slow blowing	

### Features

- For stairwells, rest rooms, laundry rooms and other areas where maximum light levels are not required on a constant basis.
- Bi-level luminaire operates at full light output when space is occupied, offering safety and security with full light output only as needed and switches to a low standby light level of 50% light output, providing energy conservation when the space is vacant.
- Optional integrated Low Voltage Ultrasonic (40Khz) Occupancy Sensor or Infrared Occupancy Sensor allowing bi-level light output operation.
- GSA qualified low-level controller available. DL Control allows for the manual selection of the ballast low level mode at 5%, 10%, 20%, or 30% of normal output. UL E79683 listed.
- Only 3 7/8" deep, meets Americans with Disabilities Act for wall mounted fixtures.
- Concealed spring assisted pressure latching retains lens.
- Up and downlight, 2 lamp.
- 20 gauge cold rolled steel post painted baked white enamel end caps.
- Consult local code authority for applications where Stairwell luminaire will be used as emergency lighting.

† Program rapid start (UNV only)  
 Note:  
 UN2 P2 combination will result in one lamp always ON with second lamp controlled by occupancy sensor.  
 UNV P2 combination will result in lamp/lamps controlled by occupancy sensor in a ON or OFF capacity.

<sup>1</sup> DL option , GSA controller, can only be specified in combination with a 0-10 volt dimming ballast and the US, Ultra Sonic, sensor option.  
<sup>2</sup> Specific 120 or 277 voltage must be specified with use of a 0-10 volt dimming ballast (US sensor option only)

<b>Job Information</b>	<b>Type:</b>
<b>Job Name:</b>	
<b>Cat. No.:</b>	
<b>Notes:</b>	



## Wall/Ceiling Mounted Luminaire, T8

### Specifications

**Materials: Chassis Parts**—Die-formed code gauge cold rolled steel. **End Caps**—20 gauge cold rolled steel.

**Finish: Chassis Exterior**—Flat white baked powder coated enamel. **End Caps**—Flat white baked enamel. Rust preventative undercoating.

**Lenses: C**—Unique composite, 1/8" thick DR (impact resistant) acrylic lens with a white opaque center and linear prisms to spread up/down light. **R**—Classic 1/8" thick linear prismatic virgin acrylic lens that is low in brightness. **V**—Vandal Proof. A linear prismatic lens of 50% DR (impact resistant) and 50% standard acrylic with a nominal thickness of 1/8" that will withstand 70 foot pounds of impact without breaking. Coupled with an additional secondary set of end-caps secured with spinner head screws. (Factory installed only)

**Electrical:** Thermally protected class "P" ballast CBM approved, non PCB. If K.O. is within 3" of ballast, use wire suitable for at least 90°.

**Labels:** I.B.E.W., cULus listed for damp locations.

### Options/Accessories

**Electrical Wiring Options:** Consult factory.

### Sensor Options

#### US—Ultrasonic Occupancy Sensor



- Ultrasonic technology (40Khz) Ultrasonic detection operates by transmitting sound waves throughout an area and measuring the speed at which they return.

#### OC—Infrared Occupancy Sensor



- Adjustable time delay from 30 seconds to 30 minutes.
- Fixed sensitivity optimized for FS-LxW lens coverage.
- RoHS compliant.
- Light level daylighting feature from 10-120 fc.

Job Information Type:

**PHILIPS**

**LIGHTOLIER**

# Stairwell

## Wall/Ceiling Mounted Luminaire, T8

### Photometry

#### Model No. SF4R232120SO

LER = 62.7 IW = 59.1 BF = 0.88  
 Comparative yearly lighting energy cost per  
 1000 lumens = \$3.82

Report Number: G97001

Catalog Number: SF4R232120SO

Lamps: (2) FO32T8

Luminaire: Stairwell Wall Mount  
 luminaire with Ribbed  
 Prismatic Lens

Ballast: RIC2S40TP

Report is based on 2850 lumens per lamp.

Efficiency: 73.9%

CIE Type: Direct/Indirect

Plane: 0-Deg. 90-Deg.

Spacing Criteria: 1.2 1.3

Shielding Angles: 90 90

Luminous Length: 47.160 2.160

Height of side 6.000 6.000

### Candela Distribution

Vertical Angle	Horizontal Angle			Zonal Lumens
	0	45	90	
0	1176	1176	1176	
5	1162	1171	1188	112
15	1116	1155	1184	326
25	1028	1093	1134	502
35	899	973	993	598
45	724	696	665	542
55	483	485	526	443
65	235	367	508	377
75	110	309	468	319
85	20	229	404	243
90	6	202	364	
95	5	203	351	208
105	5	185	300	180
115	5	155	253	143
125	5	124	201	103
135	5	88	142	63
145	6	58	94	34
155	6	34	56	15
165	6	14	24	4
175	5	2	3	0
180	2	2	2	

### Coefficients of Utilization

Ceiling	80%			50%			30%		
	70	50	30	50	30	10	50	30	10
Wall									
RC	Zonal Cavity Method								
RW	Effective Floor Reflectance = 20%								
1	76	72	69	64	61	59	58	56	55
2	69	63	57	55	51	48	51	48	45
3	63	55	49	49	44	40	45	41	38
4	58	49	42	43	38	34	40	36	32
5	52	44	37	39	34	30	36	32	28
6	49	39	33	35	30	26	33	28	25
7	45	36	29	32	27	23	30	25	22
8	42	33	26	29	24	21	27	23	20
9	40	30	24	27	22	19	25	21	18
10	37	28	22	25	20	17	24	19	16

### Zonal Lumen Summary

Zone	Lumens	% Lamp	% Fixt.
0- 30	940	16.5	22.3
0- 40	1538	27.0	36.5
0- 60	2523	44.3	59.9
0- 90	3463	60.8	82.2
90-120	531	9.3	12.6
90-130	634	11.1	15.1
90-150	732	12.8	17.4
90-180	751	13.2	17.8
0-180	4214	73.9	100.0

### Average Luminance data in candela / sq. meter

Angle	0°	45°	90°
45	3992.	4363.	4830.
55	2937.	3485.	4620.
65	1648.	3204.	5869.
75	946.	3573.	8263.
85	231.	4105.	16163.



Philips Lightolier  
 e: lol.webmaster@philips.com  
 t: (508) 679-8131, Technical info. (978) 657-7600  
 w: www.lightolier.com

Stairwell T8 March 8, 2012

Specifications are subject to change without notice.  
 © Koninklijke Philips Electronics N.V., 2012. All rights reserved.

**Job Information Type:**