

Decoflood

DFS2 Small Round - 39-100W HID

Features

Optical System / Available Distributions

- NBF** Narrow Beam (Fixed)
- WBF** Wide Beam (Fixed)
- MBA** Medium Beam (Adjustable)
- WBA** Wide Beam (Adjustable)

See optical data for details.

Housing / Construction

Double wall housing design. Outer housing works as a barrier and watershed to protect the optical assembly from intrusion of contaminants. Inner housing and dedicated internal IP65 compartment are sealed for optimum photometric performance. Optic chamber features an integrated breather to prevent the formation of condensation. Optic chamber constructed to IP65.

Lamp / Socket

DFS2 'PT': T6 CMH pulse start lamps, G12 base.
 DFS2 'E': T6 MasterColor Elite lamps, G12 base.
 CCT: 3000 K. See distribution guide for details.

Ballast / Voltage

High efficiency electronic ballast. THD of < 10% to < 20%. Suitable for operation in an ambient temperature range of -30°C (-22°F) to 40°C (104°F). See distribution guide for details.

Style / Mounting

- SV** Swivel
- YK** Yoke

Options (pre-installed)

Fusing:
 Single Fuse **F1** (120/277/347V), and Double Fuse **F3** (208/240V) (Canadian double pull) option available.

External Shielding:
 Stone guard **SG** option available.

Lens Options

Lens options includes a pre-attached lens holder that can hold up to two lenses.

Spread Lenses:

- C** Beam Softener
- D** Beam Spreader Horizontal
- E** Beam Spreader Vertical

Colour Lenses:

- F** Solgel Blue Filter
- H** Solgel Light Blue Filter
- I** Solgel Yellow Filter
- J** Solgel Green Filter
- K** Solgel Magenta Filter
- M** Red Filter




Colour Temp Lenses:

- N** Warm n°1 Solgel Filter
- O** Warm n°2 Solgel Filter
- P** Warm n°3 Solgel Filter
- Q** Cool n°2 Solgel Filter
- U** Cool n°3 Solgel Filter
- V** Cool n°4 Solgel Filter

Finish

Luminaire Finish	Accessory Finish	Description
S	TWO	Two-Tone (dark gray, silver)
B	TBK	Textured Black
R	TDB	Textured Dark Bronze
A	TSA	Textured Satin Aluminum
W	TWHT	Textured White
G	TGN	Textured Green
T	TGR	Textured Grey

 Some luminaires use fluorescent or high intensity discharge (HID) lamps that contain small amounts of mercury. Such lamps are labeled 'Contain Mercury' and/or with the symbol 'Hg'. Lamps that contain mercury must be disposed of in accordance with local requirements. Information regarding lamp recycle and disposal can be found at www.lamprecycle.org.

Job Information	Type:
Job Name:	
Cat. No.:	
Lamp(s):	
Notes:	

Decoflood

DFS2 Small Round - 39-100W HID

Accessories (ordered separately)

External Shielding:

Barn doors **BD-DFS2**, glare shield **GS-DFS2**, cannon **CN-DFS2**, half round louver **HRL-DFS2**, full round louver **RL-DFS2**. (Shielding is black unless otherwise specified).

Mounting Accessories:

See Accessory Details.

Aiming

DFS2-SV can be aimed 70.0° up or 57.5° down when mounted to a horizontal surface.

DFS2-YK can be aimed 90.0° up or 90.0° down when mounted to a horizontal surface.

See Aiming Diagrams.

Listings

cETLus Listed luminaire, to be, suitable for Wet Locations. The quality systems of this facility have been registered by UL to the ISO 9001 Series Standards.

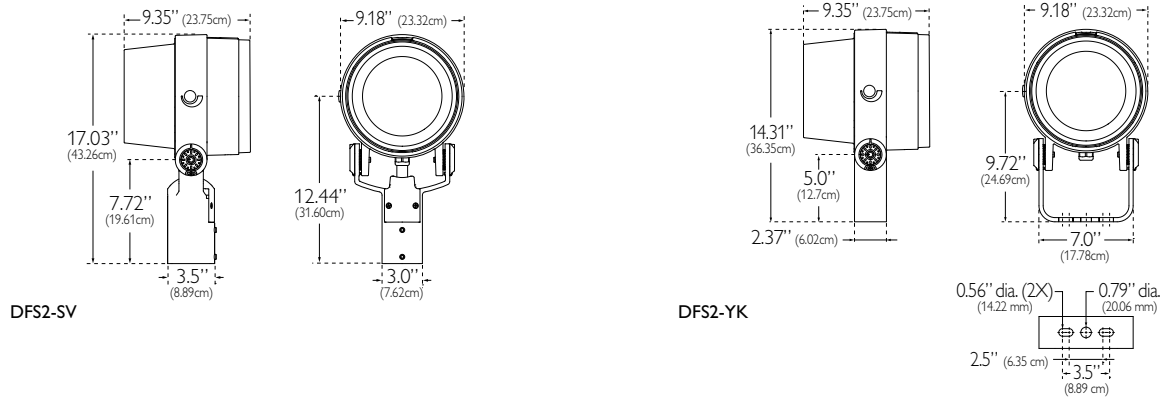
Warranty / Terms and Conditions

Standard 5 Year Limited Warranty.

Dimensions

For Reference Only

Weight:
17.0 lbs (7.71 kgs)
EPA (sq ft):
0.7



Job Information	Type:
------------------------	--------------

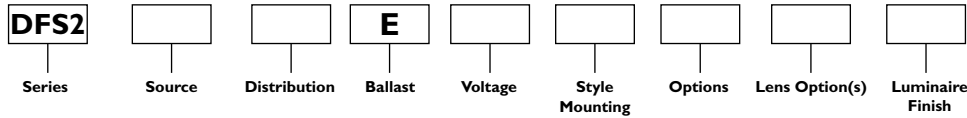
Canlyte
3015 Louis-Amos, Lachine, Québec H8T 1C4
e: canlyte-info@philips.com
t: (514) 636-0670
w: www.canlyte.com

Decoflood

DFS2 Small Round - 39-100W HID

Ordering information

Explanation of catalog number: Example: DFS2PT70NBE1SVS



Series	Source	Distribution	Ballast	Voltage	Style	Options
<input type="checkbox"/> DFS2	<input type="checkbox"/> PT39 <input type="checkbox"/> PT70 MasterColor Elite <input type="checkbox"/> E39 <input type="checkbox"/> E70 <input type="checkbox"/> E100	Fixed Beam <input type="checkbox"/> NBF Narrow Beam <input type="checkbox"/> WBF Wide Beam Adjustable Beam <input type="checkbox"/> MBA Medium Beam <input type="checkbox"/> WBA Wide Beam <small>See optical data tables for specific beam and candela information.</small>	<input type="checkbox"/> E Electronic	<input type="checkbox"/> 1 120V <input type="checkbox"/> 2 208V <input type="checkbox"/> 3 240V <input type="checkbox"/> 4 277V <input type="checkbox"/> 6 347V	<input type="checkbox"/> SV Swivel <input type="checkbox"/> YK Yoke	<input type="checkbox"/> F1 Single Fuse (120/277/347V) <input type="checkbox"/> F3 Double Fuse (208/240V) (Canadian double pull) <input type="checkbox"/> SG Stone Guard (poly) External Shielding (pre-attached)

Notes: 1. Lens options include lens holder that can hold up to two lenses. Lens holder comes pre-attached to the fixture. Photometry for the 'BSO' lens should be used for reference only. Lens performance can vary slightly due to manufacturing tolerances.

Lens Options (includes lens holder; holds up to two lenses)

Finish

Spread Lenses¹

- C** Beam Softener
- D** Beam Spreader Horizontal
- E** Beam Spreader Vertical

Colour Lenses¹

- F** Solgel Blue Filter
- H** Solgel Light Blue Filter
- I** Solgel Yellow Filter
- J** Solgel Green Filter
- K** Solgel Magenta Filter
- M** Red Filter

Colour Temp Lenses¹

- N** Warm n°1 Solgel Filter
- O** Warm n°2 Solgel Filter
- P** Warm n°3 Solgel Filter
- Q** Cool n°2 Solgel Filter
- U** Cool n°3 Solgel Filter
- V** Cool n°4 Solgel Filter

- S** Two-Tone (dark gray, silver)
- B** Textured Black
- R** Textured Dark Bronze
- A** Textured Satin Aluminum
- W** Textured White
- G** Textured Green
- T** Textured Gray

Accessories (must be ordered separately)

- #### External Shielding Accessories (black unless otherwise specified)
- BD-DFS2** Barn Doors
 - GS-DFS2** Glare Shield (visor)
 - CN-DFS2** Cannon (full snoot)
 - HRL-DFS2** Half Round Louver
 - RL-DFS2** Full Round Louver

Swivel Mount Accessories

- WMB-16.5-(F)** Wall Mounting Bracket
- SMT-2-(F)** Surface Mounted Tenon
- JB-VMT-(F)** Junction Box with SMT-2
- SM-18-(F)** 18" Stanchion Mount
- PTA-2180-16.5-(F)** Pole Top Adaptor 2@180
- PTA-2090-16.5-(F)** Pole Top Adaptor 2@90
- PTA-3090-16.5-(F)** Pole Top Adaptor 3@90
- PTA-4090-16.5-(F)** Pole Top Adaptor 4@90

Yoke Mount Accessories

- MF4-(F)** Slip Fitter (fits 2-3/8" O.D. tenon)
- BP-(F)** Surface Mount Base Plate
- JB-BP-(F)** Junction Box with BP

Distribution Guide and Ballast Data¹

T6 CMH Pulse Start Series/Source-Wattage	Lamp ² / Base Axial orientation	Ballast Type	ANSI Code	Initial Lamp Lumens	Rated Life (hrs)	Line Current 120 / 208 / 240 / 277 / 347	Line Watts 120-277 / 347
DFS2PT-39	T6 / G12	Electronic	C130/E	3,300	12,000	0.38 / 0.25 / 0.21 / 0.18 / 0.18	46 / 56
DFS2PT-70	T6 / G12	Electronic	C139/E	6,600	12,000	0.70 / 0.46 / 0.38 / 0.31 / 0.31	80 / 90

Job Information Type:

Canlyte
 3015 Louis-Amos, Lachine, Québec H8T 1C4
 e: canlyte-info@philips.com
 t: (514) 636-0670
 w: www.canlyte.com

Decoflood

DFS2 Small Round - 39-100W HID

MasterColor Elite Series/Source-Wattage	Lamp ³⁾ / Base Axial orientation	Ballast Type	ANSI Code	Initial Lamp Lumens	Rated Life (hrs)	Line Current				Line Watts	
						120	208	240	277	347	120-277
DFS2E-39	T6 / G12	Electronic	C130/E	3,500	12,000	0.38	0.25	0.21	0.18	0.18	46 / 56
DFS2E-70	T6 / G12	Electronic	C139/E	7,300	12,000	0.70	0.46	0.38	0.31	0.31	80 / 90
DFS2E-100	T6 / G12	Electronic	C90/E	11,000	15,000	0.94	0.64	0.53	0.42	0.42	113 / 123

Notes

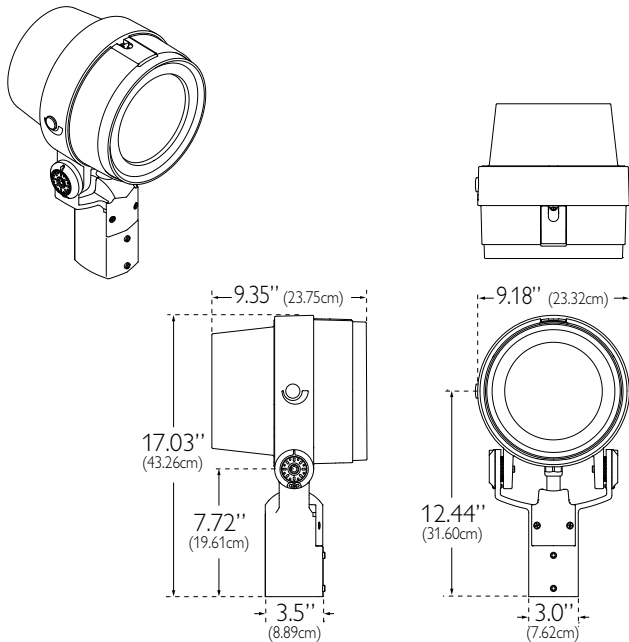
1) MasterColor ceramic metal halide lamps: CCT of 3000 K and CRI of 81.
39W: CDM35/T6/830; 70W: CDM70/T6/830.

3) MasterColor Elite lamps: CDM Elite (wattage)/T6/930 with CCT of 3000 K and CRI of 90.

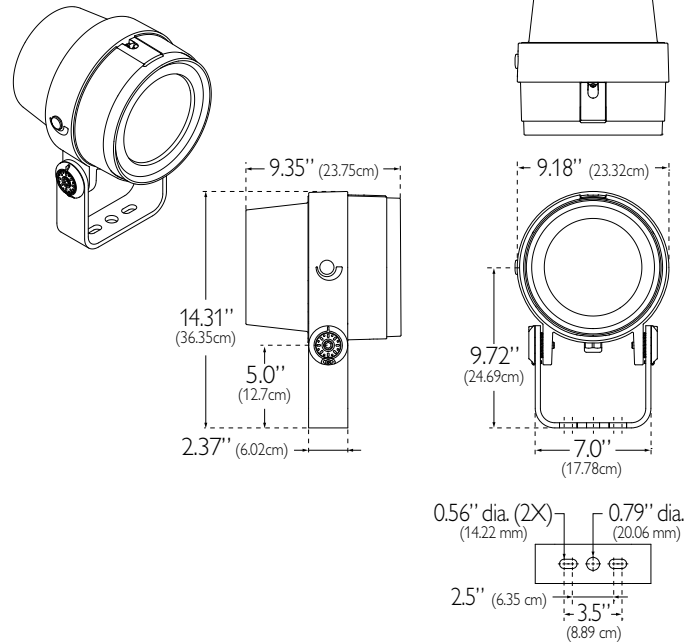
2) MasterColor Elite lamps: CDM Elite (wattage)/T6/930 with CCT of 3000 K and CRI of 90.

Style and Mounting Details

DFS2-SV

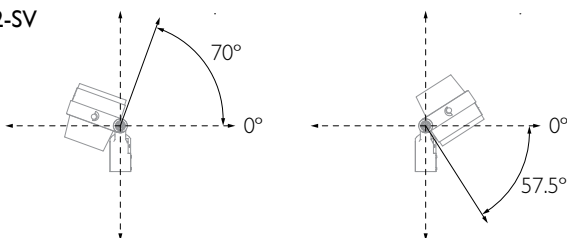


DFS2-YK

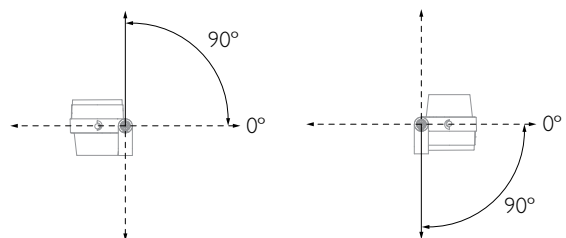


Aiming Diagrams (when mounted to a horizontal surface)

DFS2-SV



DFS2-YK



Job Information Type:

Canlyte
3015 Louis-Amos, Lachine, Québec H8T 1C4
e: canlyte-info@philips.com
t: (514) 636-0670
w: www.canlyte.com

Decoflood

DFS2 Small Round - 39-100W HID

Optical Data

Cat No.	Optic	Initial Lamp Lumens	Max CD	50% Main Beam (hor.)	50% Main Beam (vert.)	10% Field Beam (hor.)	10% Field Beam (vert.)	NEMA Beam (hor.)	NEMA Beam (vert.)	Lamp Type	Base	Lamp Axis	IES File #
T6 Ceramic Metal Halide (CMH Pulse Start)													
DFS2PT39	NBF	3,300	44,654	8.9°	8.9°	19.5°	19.4°	2H	2V	T6	G12	Axial	DFS2PT-39-NBF.IES
	WBF	3,300	15,582	16.8°	16.7°	32.3°	32.4°	3H	3V	T6	G12	Axial	DFS2PT-39-WBF.IES
	MBA (low)	3,300	39,166	8.3°	8.3°	19.0°	19.1°	2H	2V	T6	G12	Axial	DFS2PT-39-MBA-LOW.IES
	MBA (mid)	3,300	16,216	15.1°	15.2°	29.2°	29.3°	3H	3V	T6	G12	Axial	DFS2PT-39-MBA-MID.IES
	MBA (high)	3,300	10,611	15.0°	15.1°	38.2°	38.3°	3H	3V	T6	G12	Axial	DFS2PT-39-MBA-HIGH.IES
	WBA (low)	3,300	8,385	22.1°	22.2°	47.6°	47.7°	4H	4V	T6	G12	Axial	DFS2PT-39-WBA-LOW.IES
	WBA (mid)	3,300	2,925	46.9°	47.0°	83.5°	84.2°	5H	5V	T6	G12	Axial	DFS2PT-39-WBA-MID.IES
	WBA (high)	3,300	1,816	63.3°	63.5°	102.8°	103.0°	6H	6V	T6	G12	Axial	DFS2PT-39-WBA-HIGH.IES
DFS2PT70	NBF	6,600	89,308	8.9°	8.9°	19.5°	19.4°	2H	2V	T6	G12	Axial	DFS2PT-70-NBF.IES
	WBF	6,600	31,163	16.8°	16.7°	32.3°	32.4°	3H	3V	T6	G12	Axial	DFS2PT-70-WBF.IES
	MBA (low)	6,600	78,331	8.3°	8.3°	19.0°	19.1°	2H	2V	T6	G12	Axial	DFS2PT-70-MBA-LOW.IES
	MBA (mid)	6,600	32,432	15.1°	15.2°	29.2°	29.3°	3H	3V	T6	G12	Axial	DFS2PT-70-MBA-MID.IES
	MBA (high)	6,600	21,222	15.0°	15.1°	38.2°	38.3°	3H	3V	T6	G12	Axial	DFS2PT-70-MBA-HIGH.IES
	WBA (low)	6,600	16,770	22.1°	22.2°	47.6°	47.7°	4H	4V	T6	G12	Axial	DFS2PT-70-WBA-LOW.IES
	WBA (mid)	6,600	5,850	46.9°	47.0°	83.5°	84.2°	5H	5V	T6	G12	Axial	DFS2PT-70-WBA-MID.IES
	WBA (high)	6,600	3,632	63.3°	63.5°	102.8°	103.0°	6H	6V	T6	G12	Axial	DFS2PT-70-WBA-HIGH.IES
MasterColor Elite (CMH Pulse Start)													
DFS2E39	NBF	3,500	47,360	8.9°	8.9°	19.5°	19.4°	2H	2V	T6	G12	Axial	DFS2E-39-NBF.IES
	WBF	3,500	16,526	16.8°	16.7°	32.3°	32.4°	3H	3V	T6	G12	Axial	DFS2E-39-WBF.IES
	MBA (low)	3,500	41,539	8.3°	8.3°	19.0°	19.1°	2H	2V	T6	G12	Axial	DFS2E-39-MBA-LOW.IES
	MBA (mid)	3,500	17,199	15.1°	15.2°	29.2°	29.3°	3H	3V	T6	G12	Axial	DFS2E-39-MBA-MID.IES
	MBA (high)	3,500	11,254	15.0°	15.1°	38.2°	38.3°	3H	3V	T6	G12	Axial	DFS2E-39-MBA-HIGH.IES
	WBA (low)	3,500	8,893	22.1°	22.2°	47.6°	47.7°	4H	4V	T6	G12	Axial	DFS2E-39-WBA-LOW.IES
	WBA (mid)	3,500	3,102	46.9°	47.0°	83.5°	84.2°	5H	5V	T6	G12	Axial	DFS2E-39-WBA-MID.IES
	WBA (high)	3,500	1,926	63.3°	63.5°	102.8°	103.0°	6H	6V	T6	G12	Axial	DFS2E-39-WBA-HIGH.IES
DFS2E70	NBF	7,300	98,780	8.9°	8.9°	19.5°	19.4°	2H	2V	T6	G12	Axial	DFS2E-70-NBF.IES
	WBF	7,300	34,468	16.8°	16.7°	32.3°	32.4°	3H	3V	T6	G12	Axial	DFS2E-70-WBF.IES
	MBA (low)	7,300	86,639	8.3°	8.3°	19.0°	19.1°	2H	2V	T6	G12	Axial	DFS2E-70-MBA-LOW.IES
	MBA (mid)	7,300	35,872	15.1°	15.2°	29.2°	29.3°	3H	3V	T6	G12	Axial	DFS2E-70-MBA-MID.IES
	MBA (high)	7,300	23,473	15.0°	15.1°	38.2°	38.3°	3H	3V	T6	G12	Axial	DFS2E-70-MBA-HIGH.IES
	WBA (low)	7,300	27,950	22.1°	22.2°	47.6°	47.7°	4H	4V	T6	G12	Axial	DFS2E-70-WBA-LOW.IES
	WBA (mid)	7,300	6,471	46.9°	47.0°	83.5°	84.2°	5H	5V	T6	G12	Axial	DFS2E-70-WBA-MID.IES
	WBA (high)	7,300	4,017	63.3°	63.5°	102.8°	103.0°	6H	6V	T6	G12	Axial	DFS2E-70-WBA-HIGH.IES
DFS2E100	NBF	11,000	148,847	8.9°	8.9°	19.5°	19.4°	2H	2V	T6	G12	Axial	DFS2E-100-NBF.IES
	WBF	11,000	51,938	16.8°	16.7°	32.3°	32.4°	3H	3V	T6	G12	Axial	DFS2E-100-WBF.IES
	MBA (low)	11,000	130,552	8.3°	8.3°	19.0°	19.1°	2H	2V	T6	G12	Axial	DFS2E-100-MBA-LOW.IES
	MBA (mid)	11,000	54,054	15.1°	15.2°	29.2°	29.3°	3H	3V	T6	G12	Axial	DFS2E-100-MBA-MID.IES
	MBA (high)	11,000	35,370	15.0°	15.1°	38.2°	38.3°	3H	3V	T6	G12	Axial	DFS2E-100-MBA-HIGH.IES
	WBA (low)	11,000	27,950	22.1°	22.2°	47.6°	47.7°	4H	4V	T6	G12	Axial	DFS2E-100-WBA-LOW.IES
	WBA (mid)	11,000	9,750	46.9°	47.0°	83.5°	84.2°	5H	5V	T6	G12	Axial	DFS2E-100-WBA-MID.IES
	WBA (high)	11,000	6,053	63.3°	63.5°	102.8°	103.0°	6H	6V	T6	G12	Axial	DFS2E-100-WBA-HIGH.IES

Canlyte
 3015 Louis-Amos, Lachine, Québec H8T 1C4
 e: canlyte-info@philips.com
 t: (514) 636-0670
 w: www.canlyte.com

Job Information

Type:



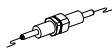
Decoflood

DFS2 Small Round - 39-100W HID

Option Details (factory installed)

Ballast Fusing options

F1 Single Fuse (120/277/347V)
(KTK 30 amp fuse)
(Voltage must be specified)
(ships installed)

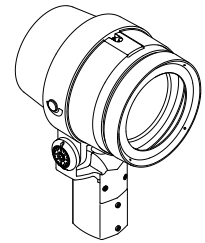
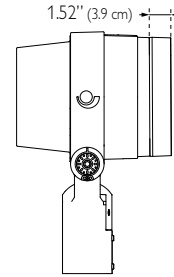


F3 Double Fuse (208/240V)
(Canadian double pull)
(Two KTK 30 amp fuses)
(Voltage must be specified)
(ships installed)



External Shielding option Pre-attached

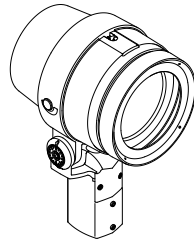
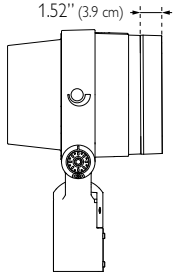
SG Stone Guard (poly)
(ships installed with external lens holder)



Lens Option Details (Includes factory installed lens holder that can hold up to two lenses, or one lens option and the stone guard option.)

External Lens Holder

(included with any lens option or stone guard option)
(ships installed)



Spread Lenses

May be combined with a colour or colour temp lens. Beam images are for reference only.



Clear Glass
(standard) beam is unchanged



C Beam Softener
softens beam in both directions



D Beam Spreader Horizontal
unidirectional horizontal beam spreader



E Beam Spreader Vertical
unidirectional vertical beam spreader

Colour Lenses

Option	Filter Name	Lee/Rosco equivalent:	Equivalent
F	Solgel Blue Filter	Lee/Rosco equivalent:	Medium blue 132
H	Solgel Light Blue Filter	Lee/Rosco equivalent:	Marine blue 131
I	Solgel Yellow Filter	Lee/Rosco equivalent:	Yellow 101
J	Solgel Green Filter	Lee/Rosco equivalent:	Primary green 139
K	Solgel Magenta Filter	Lee/Rosco equivalent:	Calcolor Pink 4890
M	Red Filter	Lee equivalent:	Fire 019

Option	Filter Name	installed lamp CCT (no filter)	approx. % change with filter	resulting CCT with filter
N	Warm n°1 Solgel Filter	3000 K	-23.3%	2300 K
O	Warm n°2 Solgel Filter	3000 K	-16.7%	2500 K
P	Warm n°3 Solgel Filter	3000 K	-10.0%	2700 K
Q	Cool n°2 Solgel Filter	3000 K	+26.7%	3800 K
U	Cool n°3 Solgel Filter	3000 K	+16.7%	3500 K
V	Cool n°4 Solgel Filter	3000 K	+10.0%	3300 K

ColourTemp Lenses are used to adjust the colour temperature of the existing lamp to a warmer or cooler CCT depending on the surface to be illuminated. Approximate percentage change in CCT (warmer or cooler) with filter is shown. Results can vary by lamp type, source, and optical distribution.

Canlyte
3015 Louis-Amos, Lachine, Québec H8T 1C4
e: canlyte-info@philips.com
t: (514) 636-0670
w: www.canlyte.com

Job Information

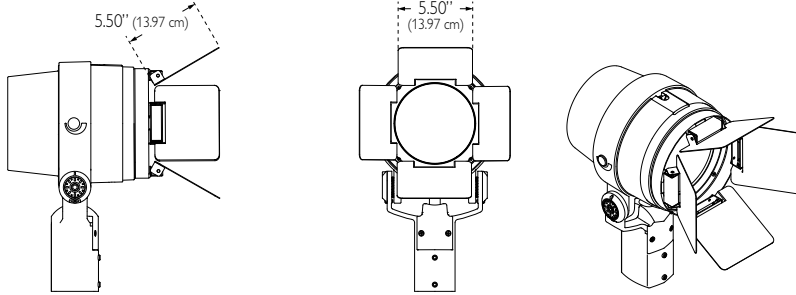
Type:

Decoflood

DFS2 Small Round - 39-100W HID

External Shielding Accessory Details (black unless otherwise specified) (must be ordered separately) (beam images are for reference only)

BD-DFS2
Barn Doors



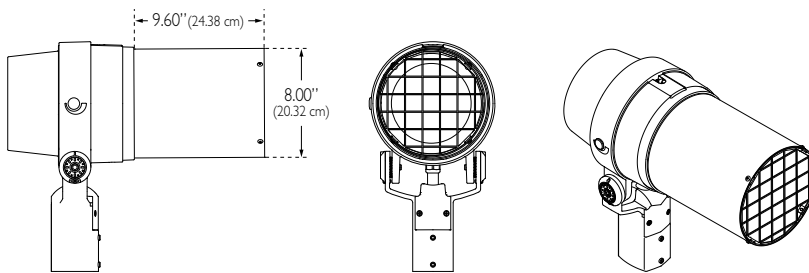
Helps to frame beam and increase visual comfort without impairing the main distribution.

GS-DFS2
Glare Shield (visor)



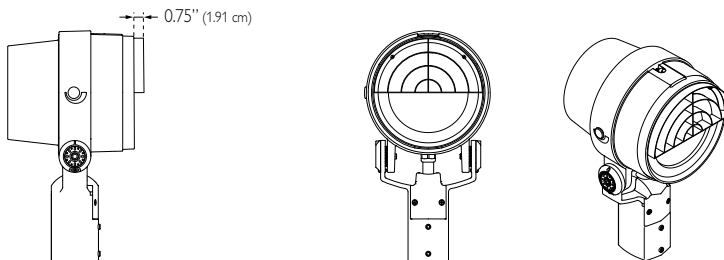
Helps to increase visual comfort from certain viewing angles without impairing the main distribution.

CN-DFS2
Cannon (full snoot)



Helps to limit glare and spill light in all directions.

HRL-DFS2
Half Round Louver



Helps to limit glare and spill light in one direction.

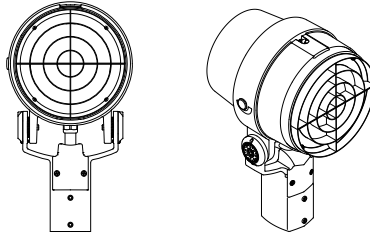
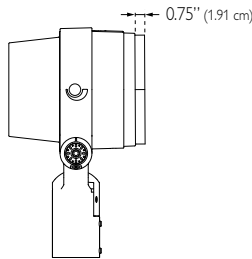
Job Information **Type:**

Canlyte
3015 Louis-Amos, Lachine, Québec H8T 1C4
e: canlyte-info@philips.com
t: (514) 636-0670
w: www.canlyte.com

Decoflood

DFS2 Small Round - 39-100W HID

RL-DFS2
Full Round Louver



Helps to limit glare and spill light in all directions.

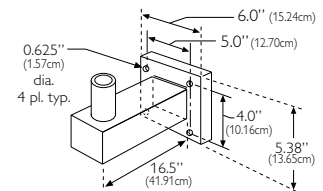
Swivel Mount Accessory Details (must be ordered separately)

F = Specify finish of the accessory: TWO: Two-Tone (dark grey, silver) TBK: Textured Black TDB: Textured Dark Bronze TSA: Textured Satin Aluminum TWHT: Textured White TGN: Textured Green TGR: Textured Grey

WMB-16.5-(F)
Wall Mounting Bracket

2-3/8" O.D. vertical tenon welded to extruded aluminum arm with removable end cap for wiring. Arm is bolted to a cast aluminum plate that has four 5/8" diameter mounting holes.

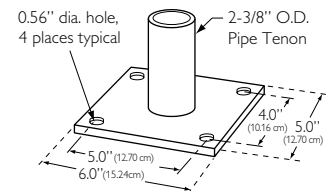
Suitable for mounting single luminaire only.
Mounting hardware by others.



SMT-2-(F)
Surface Mounted Tenon

2-3/8" O.D. aluminum tenon welded to a flat aluminum plate with four 1/2" diameter mounting holes.

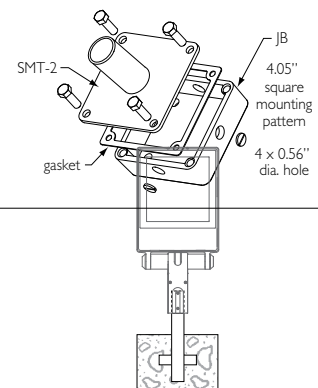
Single floodlight may be pad mounted or wall mounted.
Mounting hardware by others.



JB-VMT-(F)
Junction Box with SMT-2

For mounting to flat surfaces when using surface mount conduit.

Box has four 1/2" pipe entrances.
Mounting hardware by others.



SM-18-(F)
18" Stanchion Mount

Stanchion mounting allows stable positioning of vertical tenon member in aggregate or substrate.

2-3/8" O.D. aluminum tenon welded to a 2-7/8" stanchion.

Standard length: 18"

Job Information **Type:**

Canlyte
3015 Louis-Amos, Lachine, Québec H8T 1C4
e: canlyte-info@philips.com
t: (514) 636-0670
w: www.canlyte.com

Decoflood

DFS2 Small Round - 39-100W HID

PTA-2180-16.5-(F)
Pole Top Adapter, 2@180

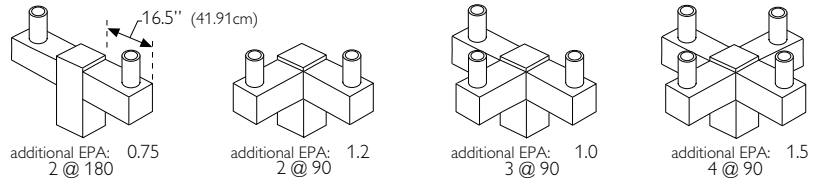
PTA-2090-16.5-(F)
Pole Top Adapter, 2@90

PTA-3090-16.5-(F)
Pole Top Adapter, 3@90

PTA-4090-16.5-(F)
Pole Top Adapter, 4@90

Vertically mounted 2-3/8" O.D. tenons welded to extruded aluminum arms with removable end cap for wiring. Arms bolted to cast aluminum pole top bracket. Fits poles having a 2-3/8" O.D. x 4" vertical tenon.

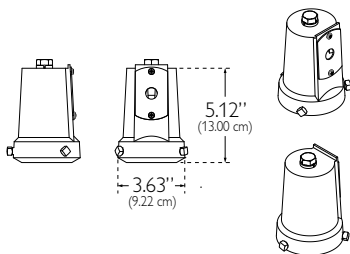
Components shipped separately. Field assembly required.



Yoke Mount Accessory Details (must be ordered separately)

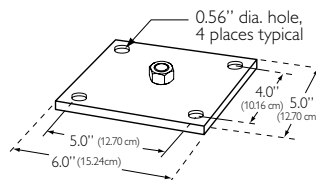
F = Specify finish of the accessory: TWO: Two-Tone (dark grey, silver) TBK: Textured Black TDB: Textured Dark Bronze TSA: Textured Satin Aluminum TWHT: Textured White TGN: Textured Green TGR: Textured Grey

MF4-(F) Slip Fitter
(fits 2-3/8" O.D. tenon)



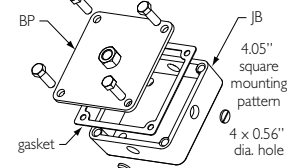
BP-(F) Surface Mount Base Plate

Flat aluminum plate with four 1/2" diameter mounting holes. Single floodlight may be pad mounted or wall mounted. Mounting hardware by others.



JB-BP-(F) Junction Box with BP

For mounting to flat surfaces when using surface mount conduit. Box has four 1/2" pipe entrances. Mounting hardware by others.



ISO 9001
Certified



Canlyte
3015 Louis-Amos, Lachine, Québec H8T 1C4
e: canlyte-info@philips.com
t: (514) 636-0670
w: www.canlyte.com
DFS2 September 26, 2011
Specifications are subject to change without notice.
© Koninklijke Philips Electronics N.V., 2011. All rights reserved.

Job Information **Type:**

