

evoSmart Stealth Series

Features

- Housing components are constructed of durable die-cast aluminum which provide maximum strength and heat dissipation. All service hardware is stainless steel. Standard finish is Duraplex II White Electrostatic Powder coat.
- High-grade aluminum, semi-specular finish produces up to 85% reflectance. Internal hammertone finish at top of reflector to prevent lamp voltage rise on HPS and reduce bright spots beneath luminaire. Four distinct reflectors, each providing different light distributions ranging from Narrow to Very Wide. Primary path reflector shape elements eliminate secondary reflections for higher efficiency.
- Sealed optical chamber provides dust-tight enclosure to ensure maintained light levels. Cast aluminum lens frame accommodates Glass, Teflon, or Glass/Teflon lens assemblies; fully gasketed and secured to the reflector using stainless steel screws and hinge. Teflon lenses resist dirt and dust build up transmitting 5% more light. Gasketing is high temperature silicone.
- Modular optics hang 'hands-free' on a hinge for quick connect installation, and easy, safe disconnect for servicing and re-lamping. Modular optics can be interchanged with ease should the activity in an area require different optical performance.
- Glazed porcelain, 4 kV and 5kV pulse rated Mogul based socket with vibration proof nickel-plated screw shell and spring-loaded center contact. Socket positions are factory preset.
- Ballast access incorporates swing open hinge system with the ballast lid and optical assembly. Quick disconnect plug provided for connection to input supply wires. Pre-wired microprocessor-controlled electronic HID ballast designed for up to 60° C ambient temperatures; -30°C starting temperature.
- Protections: ballast output short circuit, ballast output open circuit, ignition failure, thermal, end of lamp life. Built in thermal protection dims the lamp when ballast case temperature (Tc) reaches maximum and shuts down the lamp if Tc exceeds the factory pre-set maximum; ballast will automatically ignite the lamp when the ballast cools down.
- Line regulation better than $\pm 0.5\%$ for $\pm 10\%$ change in line voltage; maintains essentially constant output wattage throughout lamp life; lumen maintenance $>90\%$ at 30 000 hours of lamp operation.

Available in 250 to 400W Pulse Start Metal Halide & High Pressure Sodium



- Electronic Dimming ballast has integral continuous 50-100% dimming with automatic start to Hi for 15 minutes. Continuous dimming can be implemented by connecting an analog 0 - 10VDC dimmer.
- Electronic Intelligent Dimming ballast utilizes electronic ballast technology to control the light output; dimming level is automatically controlled by the ballast.
- Total Harmonic Distortion $<20\%$; Power factor >0.92
- Hot Restrike for HPS lamps; MH lamps effective life extended by more than 50%.
- Meets IP65 Ingress Protection with all lens styles.
- Comes with 7 year limited warranty.
- HID luminaires should be operated on grounded systems only. Ungrounded power distribution systems may carry high transient voltages which can cause failure of any type electrical equipment. Use of Canlyte equipment on ungrounded systems will VOID THE WARRANTY.



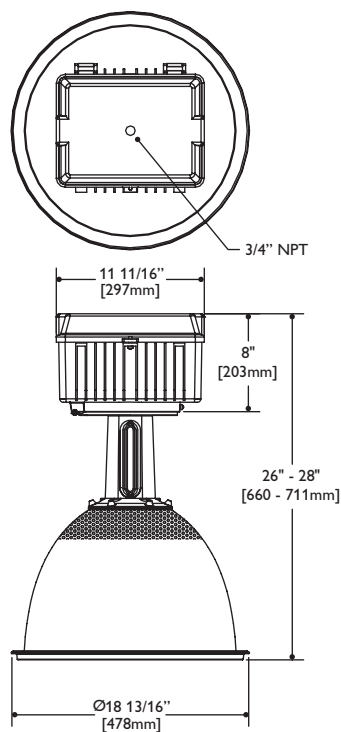
Job Information	Type:
Job Name:	
Cat. No.:	
Lamp(s):	
Notes:	

evoSmart Stealth Series

Electrical ratings

Lamp Wattage	120V		208V		240V		277V		347V	
	Input Power	Input Current	Input Power	Input Current	Input Power	Input Current	Input Power	Input Current	Input Power	Input Current
250W	269W	2.34A	269W	1.35A	269W	1.17A	269W	1.01A	276W	0.86A
320W	359W	3.05A	344W	1.72A	344W	1.49A	344W	1.29A	354W	1.09A
350W	390W	3.32A	375W	1.88A	375W	1.63A	375W	1.41A	385W	1.21A
400W	441W	3.75A	426W	2.13A	426W	1.85A	426W	1.62A	436W	1.37A

Dimensions

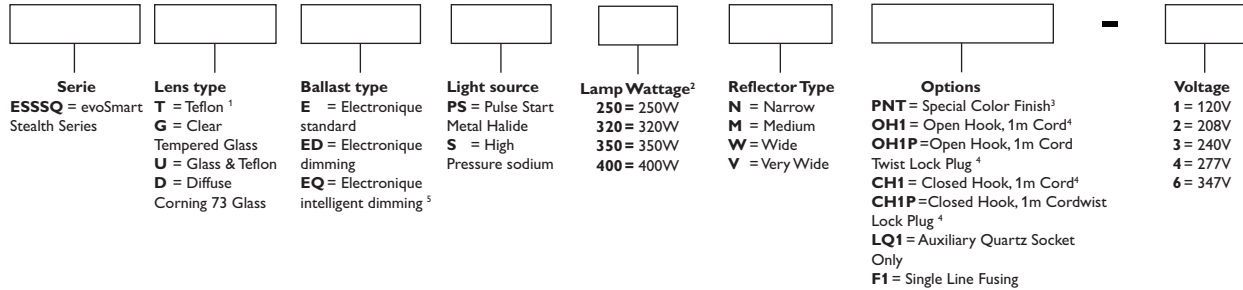


Job Information	Type:
Job Name:	
Cat. No.:	
Lamp(s):	
Notes:	

evoSmart Stealth Series

Ordering Guide

Explanation of catalog number: Example: ESSSQTEDPS400MOH1P-6



¹ Teflon lens is not a suitable lamp containment barrier, therefore open rated lamp must be used.

² PS (250, 320, 350, 400W); S (250, 400W).

³ For other housing finishes, consult factory for available colours & colour codes.

⁴ Specify 2m or 3m for longer lengths of cable.

⁵ Only available in 320W.

Job Information

Type:



© 2013 Koninklijke Philips N.V. (Royal Philips). All rights reserved.
Specifications are subject to change without notice.
www.philips.com/luminaires

SD0849 05/13

Philips Lighting Company
200 Franklin Square Drive
Somerset, NJ 08873
Phone: 855-486-2216

Philips Lighting Company
281 Hillmount Road
Markham ON, Canada L6C 2S3
Phone: 800-668-9008