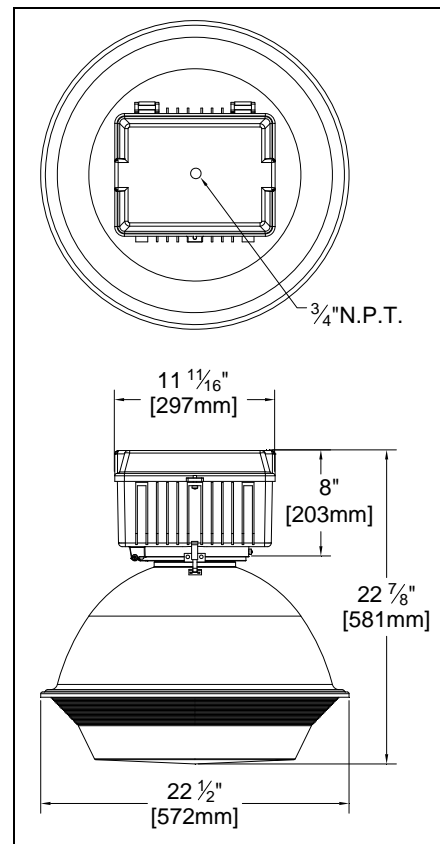


CSA Approved for Damp Locations

SPECIFICATIONS:

- Housing components constructed of durable die-cast aluminum which provide maximum strength and heat dissipation. All service hardware is stainless steel. Standard finish is Duraplex II™ White Electrostatic Powder coat.
- Sealed optical chamber provides a dust-tight enclosure to ensure maintained light levels. Gasketing is high temperature silicone.
- Low glare optics have a high-grade aluminum white painted finish which produces up to 92% reflectance. High-grade, acrylic refractor with a UV inhibitor. Refractor efficiency distributes light and hides arc tube of the lamp from view, providing low glare & uniform illumination. Up-light component provides high visual comfort. Reflector removed via side-mounted latches for easy re-lamping access.
- Wide-Lite's modular optics hang 'hands-free' on a hinge for quick connect installation, and easy, safe disconnect for servicing and re-lamping. Modular optics can be interchanged with ease should the activity in an area require different optical performance.
- Lampholder is a porcelain, 4 kV pulse rated Mogul based socket with a vibration proof nickel-plated screw shell and spring-loaded center contact.
- Ballast is housed within a swing open hinge system with the ballast lid and optical assembly. Quick disconnect plug provided for connection to input supply wires. Pre-wired microprocessor-controlled electronic HID ballast designed for up to 40°C ambient temperatures; -30°C starting temperature.
- Protections: ballast output short circuit, ballast output open circuit, ignition failure, thermal, end of lamp life. Built in thermal protection dims the lamp when ballast case temperature (Tc) reaches maximum and shuts down the lamp if Tc exceeds the factory pre-set maximum; ballast will automatically ignite the lamp when the ballast cools down.
- Line regulation better than +0.5% for +-10% change in line voltage; maintains essentially constant output wattage throughout lamp life; lumen maintenance >90% at 30 000 hours of lamp operation.
- Electronic Dimming ballast has integral continuous 50-100% dimming with automatic start to Hi for 15 minutes. Continuous dimming can be implemented by connecting an analog 0 - 10VDC dimmer.
- Electronic Intelligent Dimming ballast utilizes electronic ballast technology to control the light output; dimming level is automatically controlled by the ballast.
- Total Harmonic Distortion <20%; Power factor >0.92
- Hot Restrike for HPS lamps; MH lamps effective life extended by more than 50%.
- Comes with 7 year limited warranty.
- HID luminaires should be operated on grounded systems only. Ungrounded power distribution systems may carry high transient voltages which can cause failure of any type electrical equipment. Use of Canlyte equipment on ungrounded systems will VOID THE WARRANTY.



ORDERING GUIDE:

Example: **ESMILQEDPS400OH1P-6**

Electrical ratings:

Lamp Wattage	120V		208V		240V		277V		347V	
	Input Power	Input Current	Input Power	Input Current	Input Power	Input Current	Input Power	Input Current	Input Power	Input Current
250W	269W	2.34A	269W	1.35A	269W	1.17A	269W	1.01A	276W	0.86A
320W	359W	3.05A	344W	1.72A	344W	1.49A	344W	1.29A	354W	1.09A
350W	390W	3.32A	375W	1.88A	375W	1.63A	375W	1.41A	385W	1.21A
400W	441W	3.75A	426W	2.13A	426W	1.85A	426W	1.62A	436W	1.37A

Series	Ballast Type	Light Source	Lamp Wattage ¹	Options	Voltage
ESMILQ : evoSmart MIL Series	E : Electronic Standard ED : Electronic Dimming EQ : Electronic Intelligent Dimming ⁴	PS : Pulse Start Metal Halide S : High Pressure Sodium	250 : 250W 320 : 320W 350 : 350W 400 : 400W	OH1 : Open Hook, 1meter Cord ² OH1P : Open Hook, 1meter Cord, Twist Lock Plug ² CH1 : Closed Hook, 1meter Cord ² CH1P : Closed Hook, 1meter Cord, Twist Lock Plug ² LQ1 : Auxiliary Quartz Socket Only F1 : Single Line Fusing PNT : Special Colour Finish ³	1 : 120V 2 : 208V 3 : 240V 4 : 277V 6 : 347V

¹ PS (250, 320, 350, 400W); S (250, 400W).

³ For other housing finishes, consult factory for available colours & colour codes.

² Specify 2m, 3m for longer lengths of cord.

⁴ Only available in 320W

PROJECT: _____

TYPE: _____

CATALOGUE NUMBER: _____